

Main Benefits

MAXIMIZE THE NETWORK

- Maximize datacenter connectivity ROI through: Density, Scale, Performance

OPEN THE NETWORK

- Leverage new technologies that increase functionality, investment & ROI
- Freedom from vendor lock-in

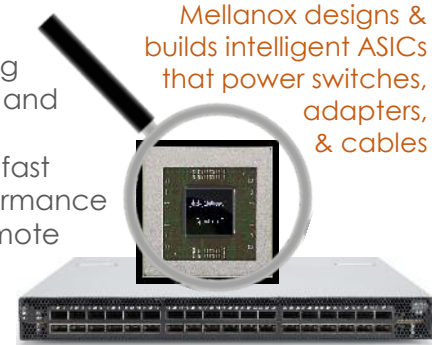
Unique Capability

FASTER STORAGE REQUIRES FASTER NETWORKS

- Flash storage has created a revolution in IT and is disrupting traditional designs and vendors. Local flash makes servers and distributed storage solutions faster, requiring high-speed connections between each server. All-flash arrays require fast front-end connections to the servers to enjoy the full performance of flash storage today, and many benefit from RDMA (Remote Direct Memory Access) to minimize latency.

Switch X.2 6th Generation
10/40/56GbE & 40/56 Gb IB

Switch IB 7th Generation
40/56/100 Gb IB



Key Differentiators



DENSITY & SCALE

- Lowest power consumption
- Use fixed switches to build scalable, affordable networks
- Most ports in smallest footprint
- Scale-out storage leverages converged Ethernet or InfiniBand networks to deliver improved simplicity, cost, and efficiency



VALUE & FUTURE PROOF

- Better End-User experience
- 56Gb uplinks – 40% better than 40Gb due to fewer cables



PERFORMANCE

- Predictable Performance
- Fair throughput for all ports
- Never drop packets
- Lowest latency and higher throughput
- Expedited delivery using **cut through** vs. store & forward



UFM MANAGEMENT & AUTOMATION

- Easy to install Appliance
- Simplified fabric management 
- Performance and traffic monitoring
- Easy integration w/ open REST APIs
- Historical analytic graphs

Sales Opportunities

SCALE-OUT STORAGE

Combines compute & storage, easier to manage & lowers cost – **top of rack switch with density at lower price point.**

CLOUD

Create economies of scale through shared services – **open switch platform with fairness** best for software-defined DC.

MEDIA & ENTERTAINMENT

Video streaming & post-production on 4k/8k workflows – **needs extreme high bandwidth** to support real-time frame-rates

BIG DATA

Improved analytics for smarter business decisions – **needs non-blocking architecture** to speed data ingestion.

GENOMICS

Extreme scalability using a building - block approach: Capacity, bandwidth and a single name space allows you to expand as more building blocks are added, resulting in near-linear performance gains

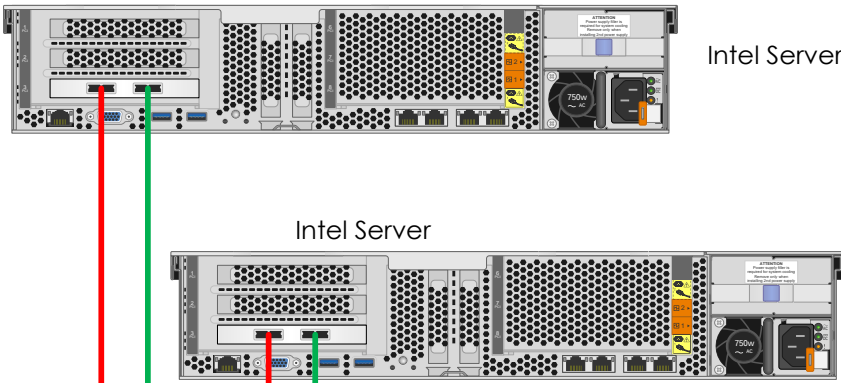
SCALE OUT DATABASE

Scale out of DB2 PureScale, Oracle RAC and SAP HANA

Company Background

- Established 1999 * NASDAQ: MLNX
- **End-to-end Ethernet Connectivity Solutions** – **Adapters, Switches, Cables, Software, Support**
- World-class, non-outsourced technical support
- Trusted as switch manufacturer for every major server OEM
- Proven Technology and Future Roadmap

IBM Mellanox Solution for Direct Connect Intel Servers



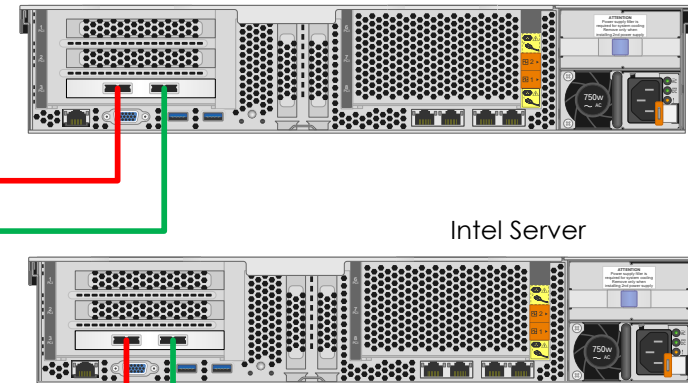
Intel Server

Intel Server

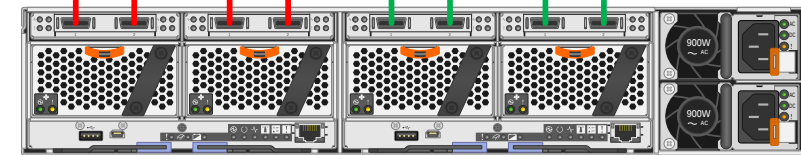
Adapters

- 1 Port of QDR Bandwidth = MCX354A-FCCT
- 1 Port of QDR Bandwidth = MCX454A-FCAT
- 2 Port QDR Bandwidth = MCB194A-FCAT
- 2 Port QDR Bandwidth = MCX456A-FCAT
- 2 Port QDR Bandwidth = MCX456A-ECAT

Intel Server



Intel Server



FlashSystems 840

QDR IB 4 Port Host Interface Card IBM FC# AF16

Cables

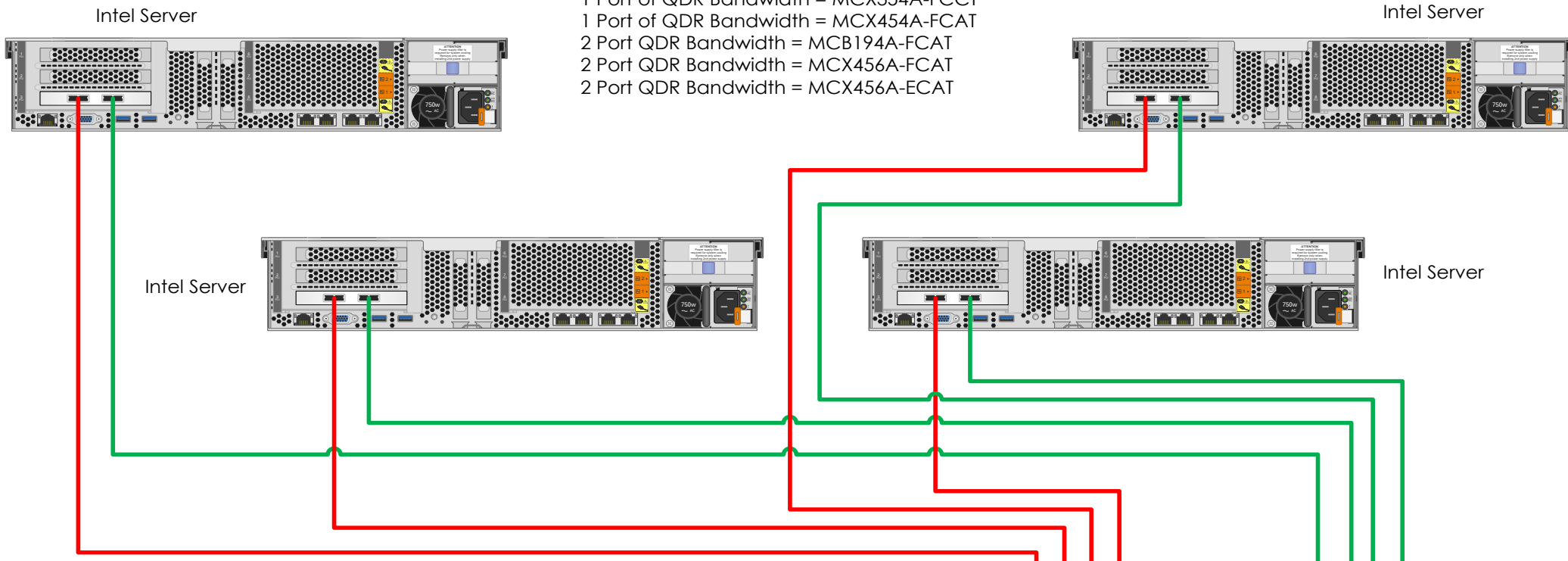
- MC2206130-00A Mellanox® passive copper cable, IB QDR/FDR10, 40Gb/s, QSFP, 0.5m
- MC2206130-001 Mellanox® passive copper cable, IB QDR/FDR10, 40Gb/s, QSFP, 1m
- MC2206130-002 Mellanox® passive copper cable, IB QDR/FDR10, 40Gb/s, QSFP, 2m
- MC2206130-003 Mellanox® passive copper cable, IB QDR/FDR10, 40Gb/s, QSFP, 3m
- MC2206128-004 Mellanox® passive copper cable, IB QDR/FDR10, 40Gb/s, QSFP, 4m
- MC2206128-005 Mellanox® passive copper cable, IB QDR/FDR10, 40Gb/s, QSFP, 5m
- MC2206126-006 Mellanox® passive copper cable, IB QDR, 40Gb/s, QSFP, 6m
- MC2206125-007 Mellanox® passive copper cable, IB QDR, 40Gb/s, QSFP, 7m
- MC2206310-003 Mellanox® active fiber cable, IB QDR/FDR10, 40Gb/s, QSFP, 3m
- MC2206310-005 Mellanox® active fiber cable, IB QDR/FDR10, 40Gb/s, QSFP, 5m
- MC2206310-010 Mellanox® active fiber cable, IB QDR/FDR10, 40Gb/s, QSFP, 10m
- MC2206310-015 Mellanox® active fiber cable, IB QDR/FDR10, 40Gb/s, QSFP, 15m
- MC2206310-020 Mellanox® active fiber cable, IB QDR/FDR10, 40Gb/s, QSFP, 20m
- MC2206310-030 Mellanox® active fiber cable, IB QDR/FDR10, 40Gb/s, QSFP, 30m
- MC2206310-050 Mellanox® active fiber cable, IB QDR/FDR10, 40Gb/s, QSFP, 50m
- MC2206310-100 Mellanox® active fiber cable, IB QDR/FDR10, 40Gb/s, QSFP, 100m



IBM Mellanox Solution for Switched Connection Intel Servers

Adapters

- 1 Port of QDR Bandwidth = MCX354A-FCCT
- 1 Port of QDR Bandwidth = MCX454A-FCAT
- 2 Port QDR Bandwidth = MCB194A-FCAT
- 2 Port QDR Bandwidth = MCX456A-FCAT
- 2 Port QDR Bandwidth = MCX456A-ECAT

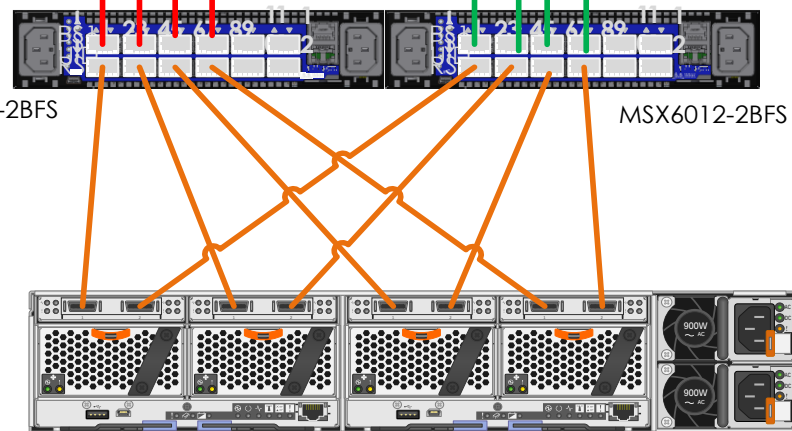


Cables

- MC2206130-00A Mellanox® passive copper cable, IB QDR/FDR10, 40Gb/s, QSFP, 0.5m
- MC2206130-001 Mellanox® passive copper cable, IB QDR/FDR10, 40Gb/s, QSFP, 1m
- MC2206130-002 Mellanox® passive copper cable, IB QDR/FDR10, 40Gb/s, QSFP, 2m
- MC2206130-003 Mellanox® passive copper cable, IB QDR/FDR10, 40Gb/s, QSFP, 3m
- MC2206128-004 Mellanox® passive copper cable, IB QDR/FDR10, 40Gb/s, QSFP, 4m
- MC2206128-005 Mellanox® passive copper cable, IB QDR/FDR10, 40Gb/s, QSFP, 5m
- MC2206126-006 Mellanox® passive copper cable, IB QDR, 40Gb/s, QSFP, 6m
- MC2206125-007 Mellanox® passive copper cable, IB QDR, 40Gb/s, QSFP, 7m
- MC2206310-003 Mellanox® active fiber cable, IB QDR/FDR10, 40Gb/s, QSFP, 3m
- MC2206310-005 Mellanox® active fiber cable, IB QDR/FDR10, 40Gb/s, QSFP, 5m
- MC2206310-010 Mellanox® active fiber cable, IB QDR/FDR10, 40Gb/s, QSFP, 10m
- MC2206310-015 Mellanox® active fiber cable, IB QDR/FDR10, 40Gb/s, QSFP, 15m
- MC2206310-020 Mellanox® active fiber cable, IB QDR/FDR10, 40Gb/s, QSFP, 20m
- MC2206310-030 Mellanox® active fiber cable, IB QDR/FDR10, 40Gb/s, QSFP, 30m
- MC2206310-050 Mellanox® active fiber cable, IB QDR/FDR10, 40Gb/s, QSFP, 50m
- MC2206310-100 Mellanox® active fiber cable, IB QDR/FDR10, 40Gb/s, QSFP, 100m

MSX6012-2BFS

MSX6012-2BFS



FlashSystems 840

QDR IB 4 Port Host Interface Card IBM FC# AF16

