



Passive Copper SFP+ 10Gb/s Cables Datasheet

Overview

Mellanox SFP+ passive copper cables are 10Gbps cables assembly. The cables are compliant with SFF-8431 specifications and provide connectivity between devices using SFP+ ports. The cables use state-of-the-art signal processing technology to fill the expanding need for cost effective data center interconnects. Mellanox unique quality passive copper cable solutions provide power-efficient replacement for active power connectivity such as fiber optic cables. Optimizing systems to operate with Mellanox’s 10GigE SFP+ passive copper cables significantly reduce power consumption. Rigorous cable production testing ensures best out-of-the-box installation experience, performance and durability.



Table 1 - Cable Specifications and Ordering Information

Maximum Reach @ 10Gb/s (m)	AWG	Part Number
0.5	30	MCC1S30A-00A
1	30	MCC1S30A-001
2	30	MCC1S30A-002
3	30	MCC1S30A-003
4	24	MCC1S24A-004
5	24	MCC1S24A-005
6	24	MCC1S24A-006
7	24	MCC1S24A-007

Table 2 - Absolute Maximum Ratings

Parameter	Range
Operating Voltage	300V
Operating Case Temperature	0°C to 70°C
Storage Ambient Temperature	-10°C to 75°C

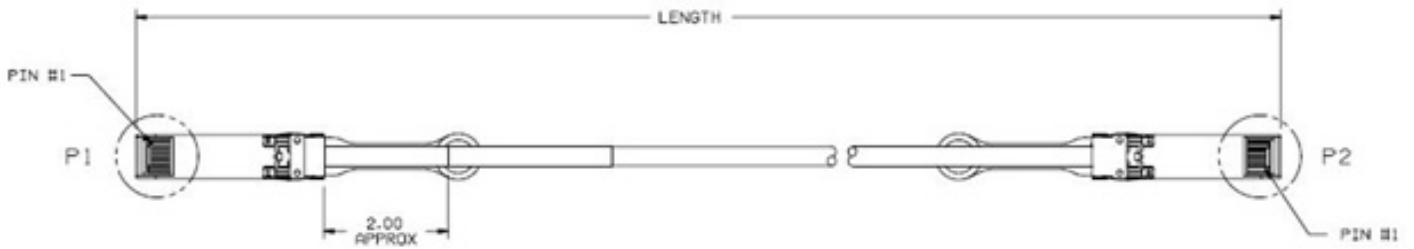
Table 3 - Operating Conditions

Parameter	Minimum	Typical	Maximum	Units
Supply Voltage	3.15	3.3	3.45	V
Data Rate per Lane	1.0		10.5	Gb/s

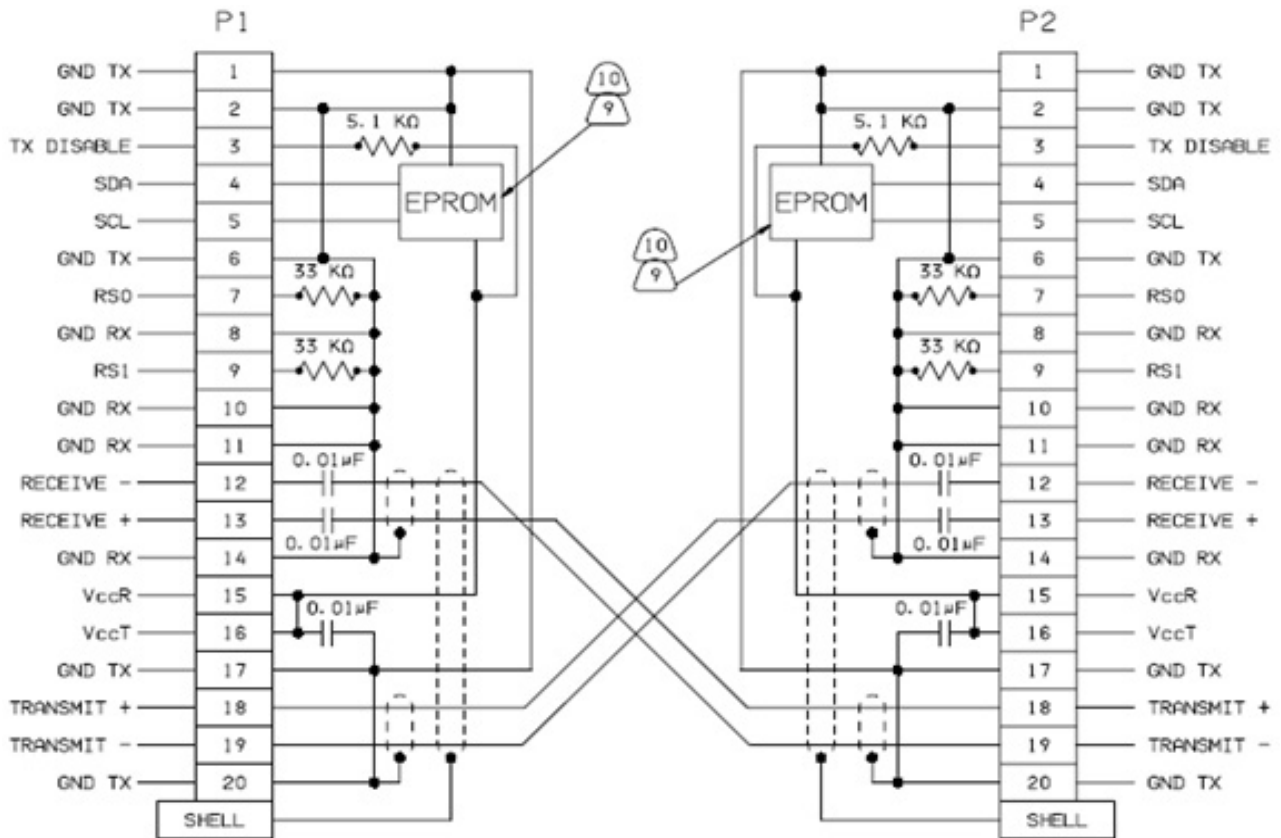
Table 4 - Physical Data

Parameter	Description	30AWG	24AWG	Units
Cable Diameter		4.5	6.5	mm
Bend Radius	Minimum Sustained Bend	25	35	mm

Mechanical Information



SFP+ Connector Pinout



350 Oakmead Parkway, Sunnyvale, CA 94085
 Tel: 408-970-3400 • Fax: 408-970-3403
www.mellanox.com

© Copyright 2010. Mellanox Technologies. All rights reserved.
 Mellanox, BridgeX, ConnectX, InfiniBlast, InfiniBridge, InfiniHost, InfiniRISC, InfiniScale, InfiniPCI, PhyX, and Virtual Protocol Interconnect are registered trademarks of Mellanox Technologies, Ltd. CORE-Direct and FabricIT are trademarks of Mellanox Technologies, Ltd. All other trademarks are property of their respective owners.