

LinkX™ 10GbE SFP+ Copper Cables with Colored Pull-tabs



Mellanox® LinkX 10GbE SFP+ passive copper cables provide robust connections for leading edge 10GbE systems. Passive copper cables require no additional power to ensure quality connectivity. The LinkX colored pull-tabs allow quick identification of the cable’s function and connection type, thereby simplifying cable management and saving time.

Optimizing systems to operate with Mellanox’s LinkX 10GbE passive copper cables significantly reduces power consumption and EMI emission, eliminating the use of EDC hosts. These cables use state-of-the-art signal processing technology to fill the expanding need for cost effective data center interconnects. Mellanox unique quality passive copper cable solutions provide power-efficient replacement for active power connectivity such as fiber optic cables. Rigorous cable production testing ensures best out-of-the-box installation experience, performance and durability.



Table 1 - Mellanox List of SFP+ Copper Cables

Part Number	Description
MCP2100-X001B	Mellanox LinkX passive copper cable, ETH 10GbE, 10Gb/s, SFP+, 1m, Blue Pulltab, Connector Label
MCP2100-X002B	Mellanox LinkX passive copper cable, ETH 10GbE, 10Gb/s, SFP+, 2m, Blue Pulltab, Connector Label
MCP2100-X003B	Mellanox LinkX passive copper cable, ETH 10GbE, 10Gb/s, SFP+, 3m, Blue Pulltab, Connector Label
MCP2100-X00AB	Mellanox LinkX passive copper cable, ETH 10GbE, 10Gb/s, SFP+, 0.5m, Blue Pulltab, Connector Label
MCP2100-X01AB	Mellanox LinkX passive copper cable, ETH 10GbE, 10Gb/s, SFP+, 1.5m, Blue Pulltab, Connector Label
MCP2100-X02AB	Mellanox LinkX passive copper cable, ETH 10GbE, 10Gb/s, SFP+, 2.5m, Blue Pulltab, Connector Label
MCP2101-X001B	Mellanox LinkX passive copper cable, ETH 10GbE, 10Gb/s, SFP+, 1m, Green Pulltab, Connector Label
MCP2101-X002B	Mellanox LinkX passive copper cable, ETH 10GbE, 10Gb/s, SFP+, 2m, Green Pulltab, Connector Label
MCP2101-X003B	Mellanox LinkX passive copper cable, ETH 10GbE, 10Gb/s, SFP+, 3m, Green Pulltab, Connector Label
MCP2101-X00AB	Mellanox LinkX passive copper cable, ETH 10GbE, 10Gb/s, SFP+, 0.5m, Green Pulltab, Connector Label
MCP2101-X01AB	Mellanox LinkX passive copper cable, ETH 10GbE, 10Gb/s, SFP+, 1.5m, Green Pulltab, Connector Label
MCP2101-X02AB	Mellanox LinkX passive copper cable, ETH 10GbE, 10Gb/s, SFP+, 2.5m, Green Pulltab, Connector Label
MCP2102-X001B	Mellanox LinkX passive copper cable, ETH 10GbE, 10Gb/s, SFP+, 1m, Red Pulltab, Connector Label
MCP2102-X002B	Mellanox LinkX passive copper cable, ETH 10GbE, 10Gb/s, SFP+, 2m, Red Pulltab, Connector Label
MCP2102-X003B	Mellanox LinkX passive copper cable, ETH 10GbE, 10Gb/s, SFP+, 3m, Red Pulltab, Connector Label
MCP2102-X00AB	Mellanox LinkX passive copper cable, ETH 10GbE, 10Gb/s, SFP+, 3m, Red Pulltab, Connector Label
MCP2102-X01AB	Mellanox LinkX passive copper cable, ETH 10GbE, 10Gb/s, SFP+, 0.5m, Red Pulltab, Connector Label
MCP2102-X02AB	Mellanox LinkX passive copper cable, ETH 10GbE, 10Gb/s, SFP+, 1.5m, Red Pulltab, Connector Label
MCP2103-X001B	Mellanox LinkX passive copper cable, ETH 10GbE, 10Gb/s, SFP+, 2.5m, Red Pulltab, Connector Label

HIGHLIGHTS

- Up to 7m 10Gb/s data rates
- Ultra low crosstalk for improved performance
- Low insertion loss
- BER better than 10-15
- Serial numbers printed on each SFP+ connector
- Tested in an end-to-end system
- Colored pull-tabs for simplified cable management

COMPLIANCE

- SFF-8431 Compliant
- RoHS 6 Compliant

Part Number	Description
MCP2103-X002B	Mellanox LinkX passive copper cable, ETH 10GbE, 10Gb/s, SFP+, 1m, Yellow Pulltab, Connector Label
MCP2103-X003B	Mellanox LinkX passive copper cable, ETH 10GbE, 10Gb/s, SFP+, 2m, Yellow Pulltab, Connector Label
MCP2103-X00AB	Mellanox LinkX passive copper cable, ETH 10GbE, 10Gb/s, SFP+, 3m, Yellow Pulltab, Connector Label
MCP2103-X01AB	Mellanox LinkX passive copper cable, ETH 10GbE, 10Gb/s, SFP+, 0.5m, Yellow Pulltab, Connector Label
MCP2103-X02AB	Mellanox LinkX passive copper cable, ETH 10GbE, 10Gb/s, SFP+, 1.5m, Yellow Pulltab, Connector Label
MCP2104-X001B	Mellanox LinkX passive copper cable, ETH 10GbE, 10Gb/s, SFP+, 2.5m, Yellow Pulltab, Connector Label
MCP2104-X002B	Mellanox LinkX passive copper cable, ETH 10GbE, 10Gb/s, SFP+, 1m, Black Pulltab, Connector Label
MCP2104-X003B	Mellanox LinkX passive copper cable, ETH 10GbE, 10Gb/s, SFP+, 2m, Black Pulltab, Connector Label
MCP2104-X00AB	Mellanox LinkX passive copper cable, ETH 10GbE, 10Gb/s, SFP+, 3m, Black Pulltab, Connector Label
MCP2104-X01AB	Mellanox LinkX passive copper cable, ETH 10GbE, 10Gb/s, SFP+, 0.5m, Black Pulltab, Connector Label
MCP2104-X02AB	Mellanox LinkX passive copper cable, ETH 10GbE, 10Gb/s, SFP+, 1.5m, Black Pulltab, Connector Label

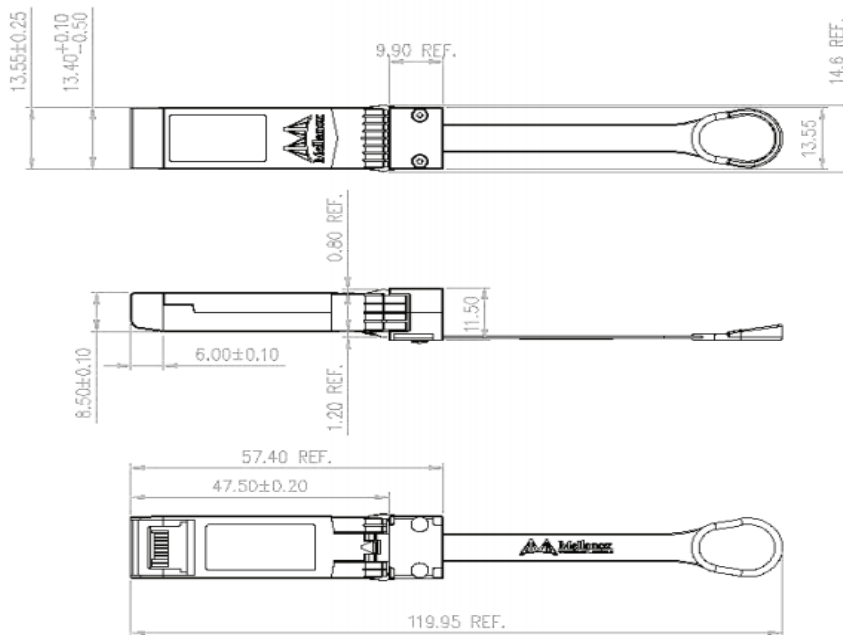
Table 2 - Operating Conditions

Parameter	Minimum	Typical	Maximum	Units
Supply Voltage (VccR/VccT)	3.15	3.3	3.45	V

Table 3 - Operating Conditions

Parameter	Minimum	Maximum	Units
Operating case temperature	0	70	°C
Operating relative humidity	10	90	%
Storage temperature	-40	85	°C

Figure 1. Mechanical Schematic



350 Oakmead Parkway, Suite 100, Sunnyvale, CA 94085
 Tel: 408-970-3400 • Fax: 408-970-3403
www.mellanox.com