

# Mellanox 40GbE QSFP+ Lite Optical Transceiver

MC2210411-SR4L

Mellanox's QSFP+ optical transceiver is designed to provide outstanding performance in high bandwidth applications such as 40G Ethernet and QDR, at speeds up to 40Gb/s, and reaches up to 30 meters.

Each of Mellanox's 40GbE modules contain four fiber optic transceivers, each operating at data rates of up to 10.3125Gb/s.

These SFF-8685 compliant modules provide reliable transport for aggregate data rates up to 40Gb/s for Ethernet link protocol.

Rigorous production testing ensures the best out-of-the-box installation experience, performance and durability.



Table 1 - Absolute Maximum Ratings

Parameter	Minimum	Maximum	Units
Supply voltage	-0.5	3.6	V
Data input Voltage	-0.3	V <sub>cc</sub> + 0.3	V
Control input voltage	-0.3	V <sub>cc</sub> + 0.3	V
Damage Threshold, per Lane	3.4	---	dBm
Operating case temperature	0	70	°C
Operating relative humidity	0	85	%
Storage temperature	-40	85	°C

Table 2 - Operation Module Information

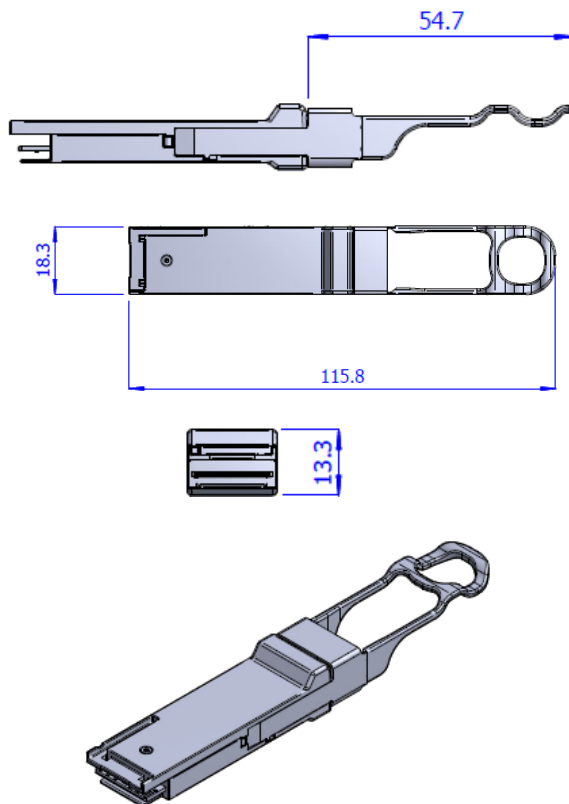
Parameter	Minimum	Typ	Maximum	Unit #
Supply voltage (V <sub>cc</sub> )	3.15	3.3	3.45	V
Power consumption at default Rx settings	---	1.0	1.2	W
Power consumption at low Rx settings	---	0.8	1.0	W
Supply noise rejection	---	---	50	mVpp

## HIGHLIGHTS

- Four-channel full-duplex transceiver
- Up to 40 Gb/s for Ethernet
- Reaches up to 30m on OM3/4 MMF
- Programmable RX Output Amplitude
- 0.8 W low power consumption
- 0-70° C operating case temperature
- 3.3V power supply
- Bit-Error-Rate (BER) lower than 10E-15
- Cluster tested in end-to-end system

# Mechanical Schematics

Figure 1. Module Schematic



## Warranty Information

The Mellanox Optical Modules include a 1-year limited hardware warranty, which covers parts repair or replacement.

## Additional Information

For more information about Mellanox modules please contact your Mellanox Technologies sales representative or visit: <http://www.mellanox.com=>Products=>Cables & Modules=>Modules>



350 Oakmead Parkway, Suite 100, Sunnyvale, CA 94085  
Tel: 408-970-3400 • Fax: 408-970-3403  
[www.mellanox.com](http://www.mellanox.com)