

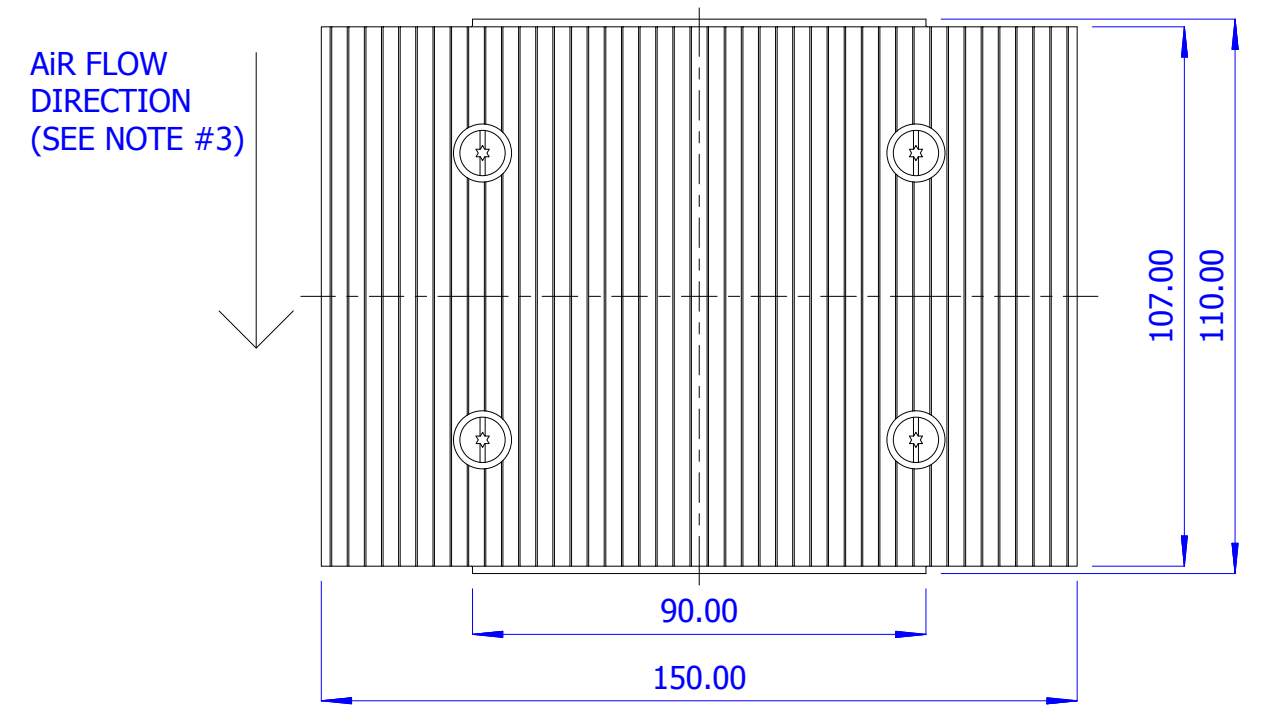
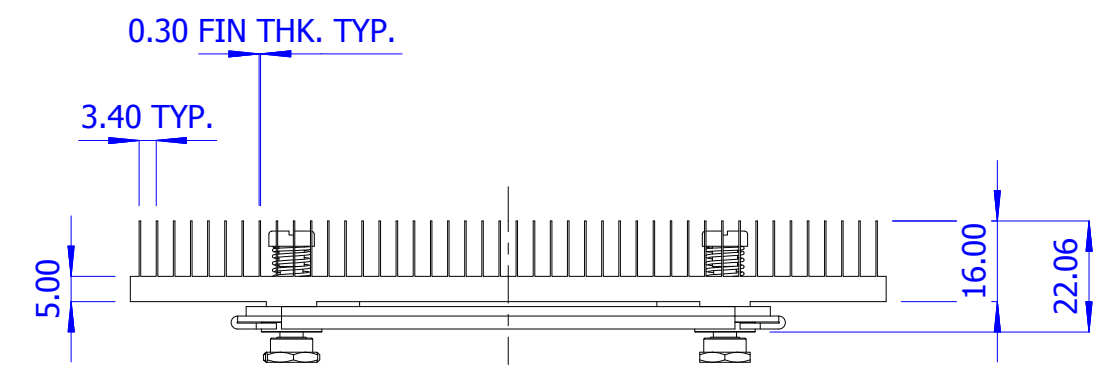
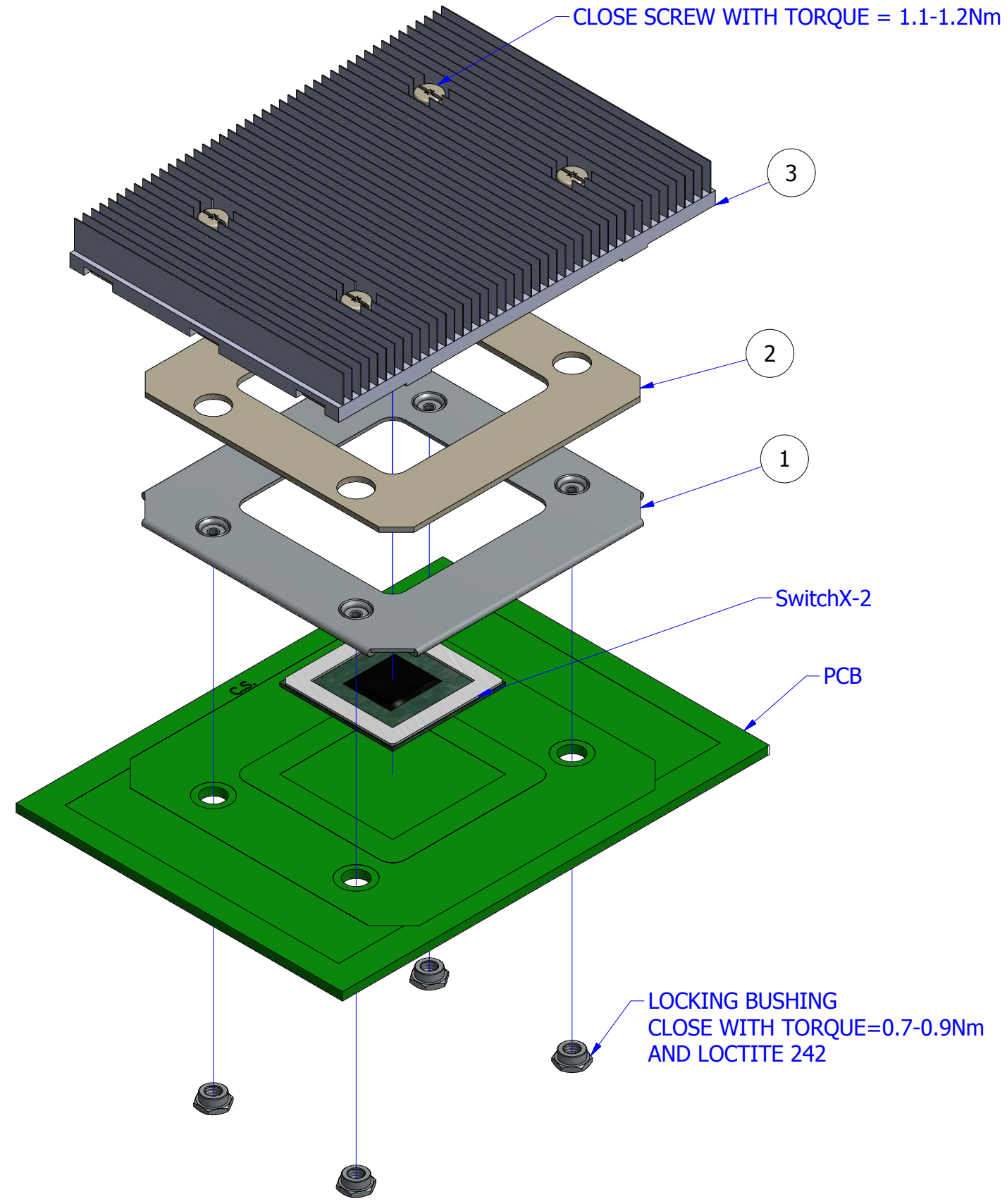
8 7 6 5 4 3 2 1

THIS DOCUMENT AND THE INFORMATION CONTAINED IN IT ARE PROPRIETARY AND CONFIDENTIAL TO **MELLANOX TECHNOLOGIES LTD.** LIMITED. NO PERSON IS ALLOWED TO COPY, REPRINT, REPRODUCE OR PUBLISH ANY PART OF THIS DOCUMENT, NOR DISCLOSE ITS CONTENTS TO OTHERS, NOR MAKE ANY USE OF IT, NOR ALLOW OR ASSIST OTHERS TO MAKE ANY USE OF IT - UNLESS BY THE PRIOR WRITTEN EXPRESS AUTHORIZATION OF **MELLANOX TECHNOLOGIES LTD.** AND THEN ONLY TO THE EXTENT AUTHORIZED.
(C) COPYRIGHT - **MELLANOX TECHNOLOGIES LTD.** .

REV	DESCRIPTION	DATE
00	RELEASED PER ECO-015680	7-NOV-2013

NOTES:

1. REF DOC19588 ENVIRONMENTAL REQUIREMENTS FOR SUPPLIERS.
2. ENVIRONMENTAL : ALL MATERIALS AND SURFACE FINISHES COMPLY WITH RoHS DIRECTIVE 2002/95/EC.
3. AIR FLOWS ORIENTED TO THE HEAT SINK FINNS.



ITEM	QTY	DESCRIPTION
1	1	HEAT SINK BRACKET
2	1	ISOLATION FOAM
3	1	HEAT SINK

UNLESS OTHERWISE SPECIFIED DIMENSIONS ARE IN MM	PROJECT:	Mellanox Technologies Ltd. P.O.B. 586 Yokneam Zip : 20692 - Israel Tel : 972-4-9097200	
USE DIMENSIONS ONLY DO NOT SCALE		TITLE	Heat sink bracket kit for SwitchX®-2 with heat-pipe with thermal grease with screws
GENERAL TOLERANCE:		SIZE	A3
LINEAR: ± 0.1		DRAWING / P.N. :	MTMH00017
RADIAL: ± 0.1		REV	00
ANGLES: ± 0.5°	1st ANGLE PROJECTION	SCALE	
BTWN HOLE CENTERS: ± 0.1			

8 7 6 5 4 3 2 1

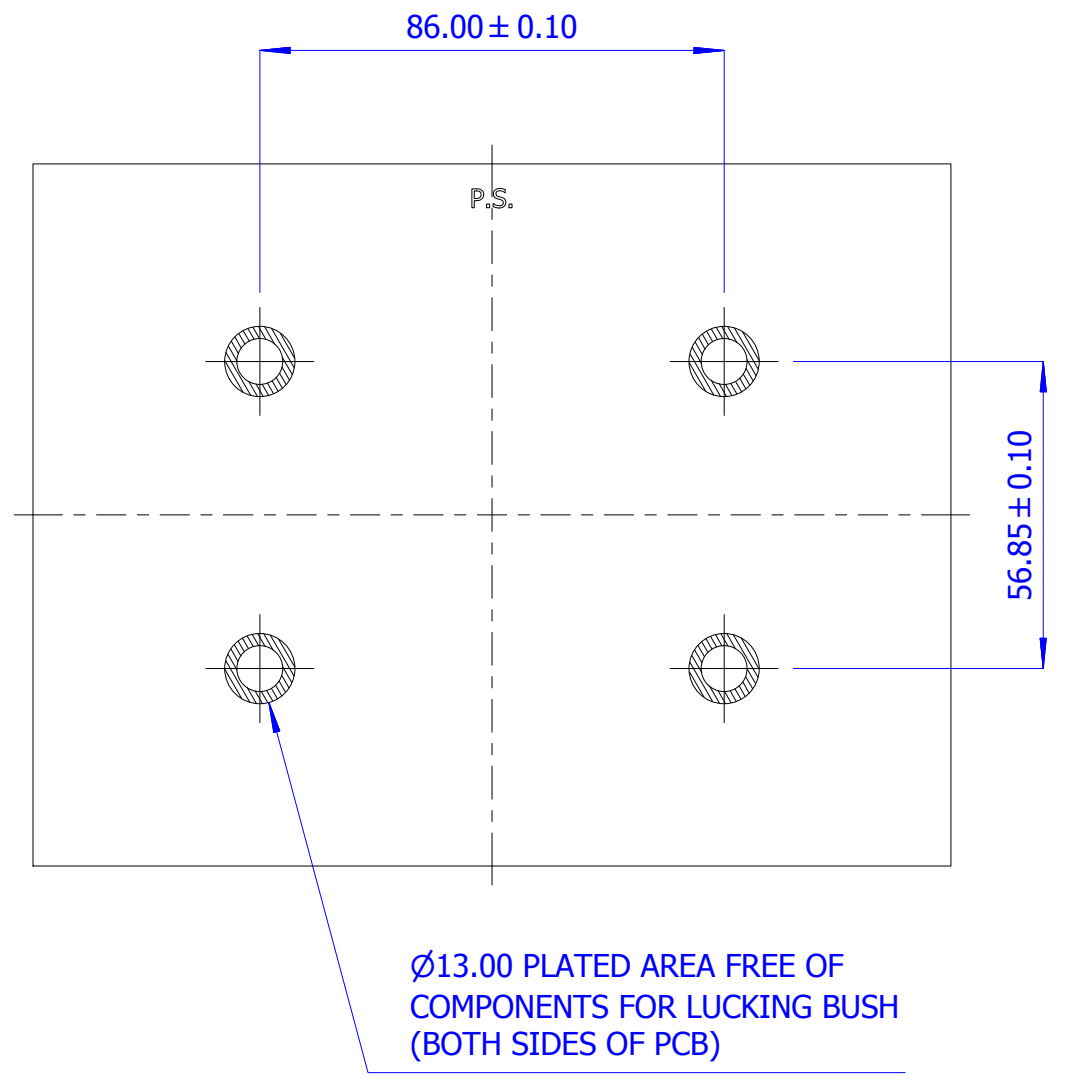
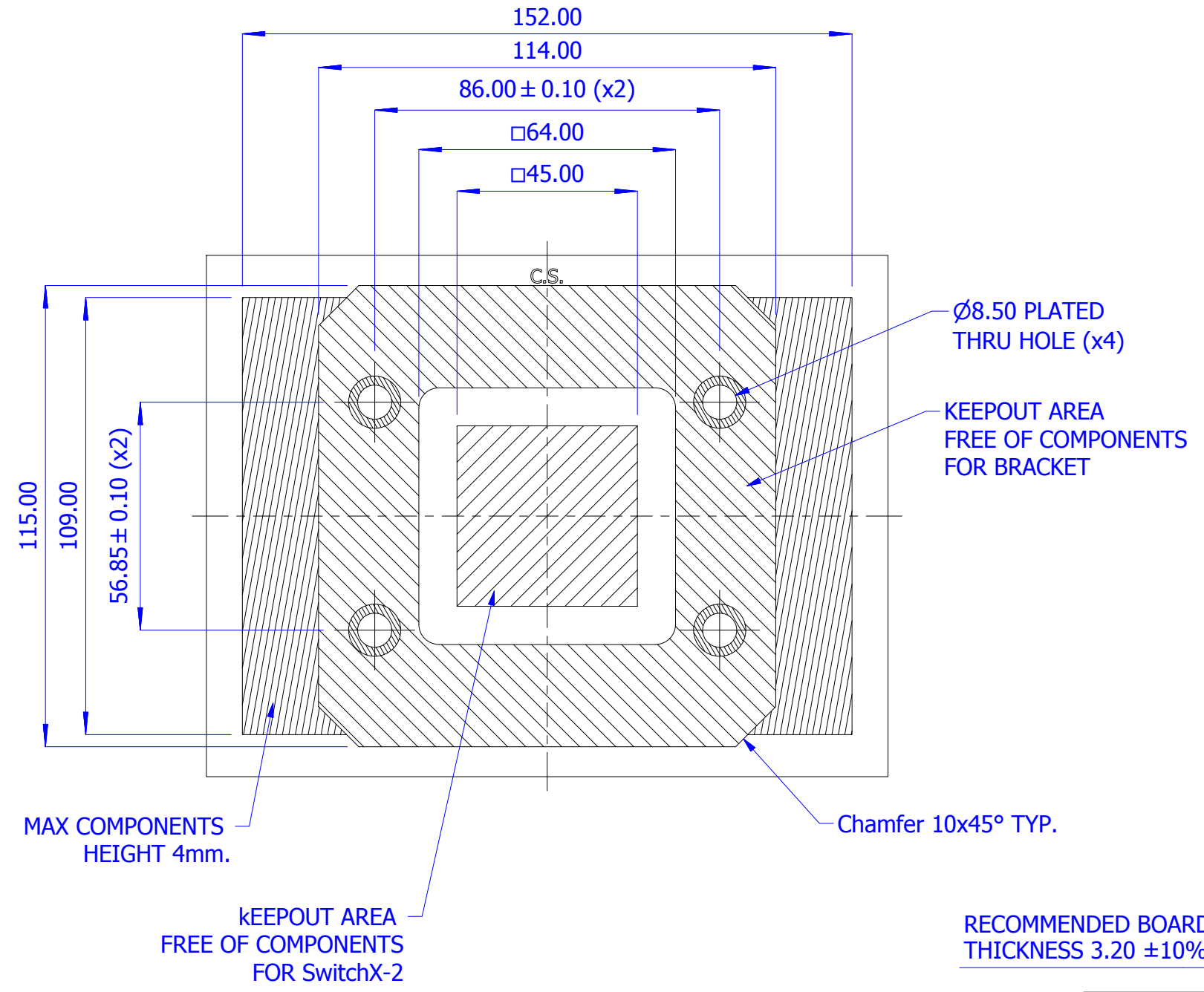
F
E
D
C
B
A


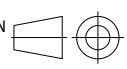
THIS DOCUMENT AND THE INFORMATION CONTAINED IN IT ARE PROPRIETARY AND CONFIDENTIAL TO **MELLANOX TECHNOLOGIES LTD.** LIMITED. NO PERSON IS ALLOWED TO COPY, REPRINT, REPRODUCE OR PUBLISH ANY PART OF THIS DOCUMENT, NOR DISCLOSE ITS CONTENTS TO OTHERS, NOR MAKE ANY USE OF IT, NOR ALLOW OR ASSIST OTHERS TO MAKE ANY USE OF IT - UNLESS BY THE PRIOR WRITTEN EXPRESS AUTHORIZATION OF **MELLANOX TECHNOLOGIES LTD.** AND THEN ONLY TO THE EXTENT AUTHORIZED.
(C) COPYRIGHT - **MELLANOX TECHNOLOGIES LTD.**

RECOMMENDED FOOTPRINT

COMPONENT SIDE

PRINT SIDE



UNLESS OTHERWISE SPECIFIED DIMENSIONS ARE IN MM	PROJECT:		Mellanox Technologies Ltd. P.O.B. 586 Yokneam Zip : 20692 - Israel Tel : 972-4-9097200		
	USE DIMENSIONS ONLY DO NOT SCALE			TITLE Heat sink bracket kit for SwitchX®-2 with heat-pipe with thermal grease with screws	
GENERAL TOLERANCE:				SIZE A3	DRAWING / P.N. : MTMH00017
LINER: ± 0.1					REV 00
RADIAL: ± 0.1					
ANGLES: ± 0.5°					
BTWN HOLE CENTERS: ± 0.1					
		1st ANGLE PROJECTION	SCALE		
					
					SHEET 2 OF 3

8

7

6

5

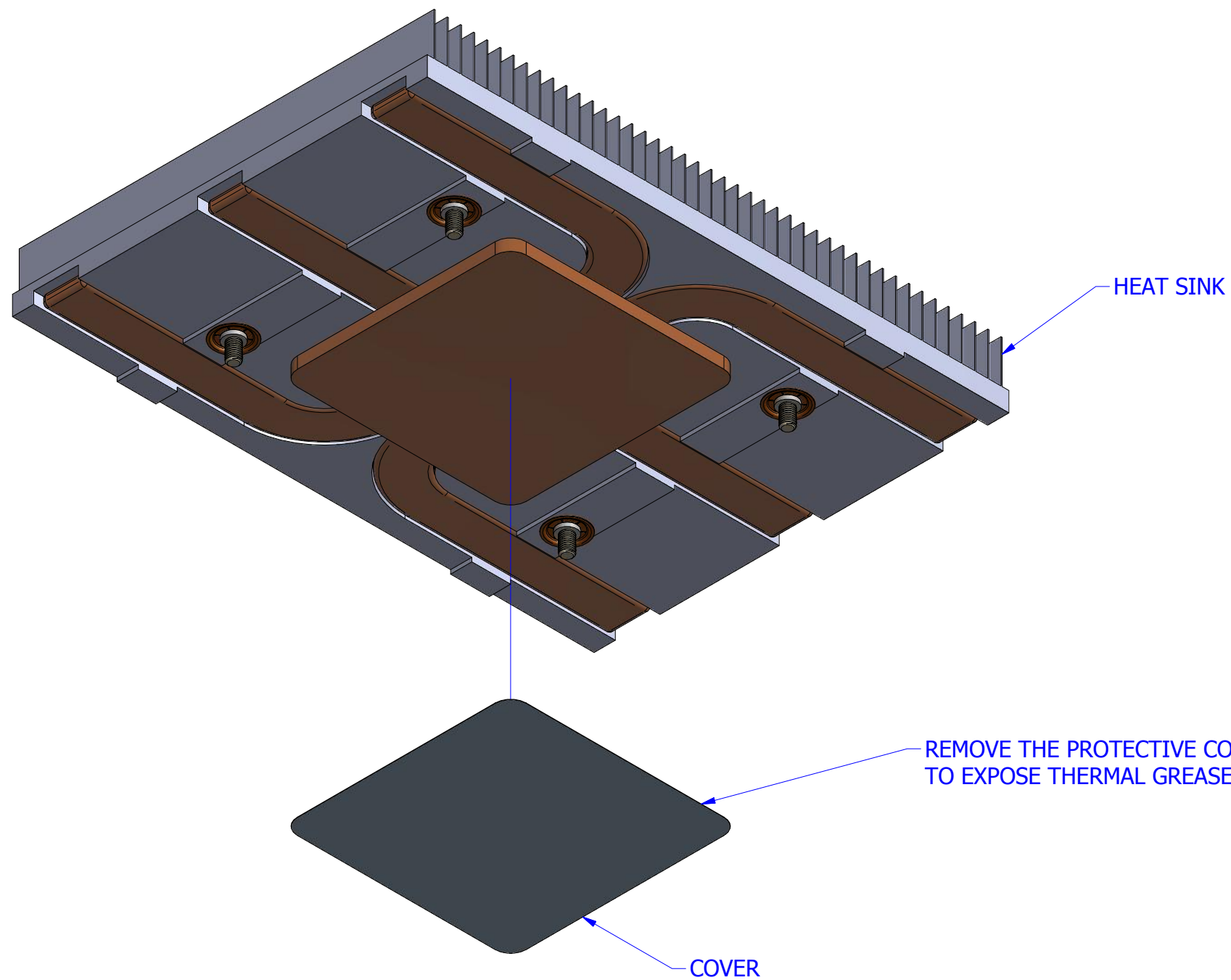
4



3

2

1

THIS DOCUMENT AND THE INFORMATION CONTAINED IN IT ARE PROPRIETARY AND CONFIDENTIAL TO **MELLANOX TECHNOLOGIES LTD.** LIMITED. NO PERSON IS ALLOWED TO COPY, REPRINT, REPRODUCE OR PUBLISH ANY PART OF THIS DOCUMENT, NOR DISCLOSE ITS CONTENTS TO OTHERS, NOR MAKE ANY USE OF IT, NOR ALLOW OR ASSIST OTHERS TO MAKE ANY USE OF IT - UNLESS BY THE PRIOR WRITTEN EXPRESS AUTHORIZATION OF **MELLANOX TECHNOLOGIES LTD.** AND THEN ONLY TO THE EXTENT AUTHORIZED.
 (C) COPYRIGHT - **MELLANOX TECHNOLOGIES LTD.**



UNLESS OTHERWISE SPECIFIED DIMENSIONS ARE IN MM	PROJECT:		Mellanox Technologies Ltd. P.O.B. 586 Yokneam Zip : 20692 - Israel Tel : 972-4-9097200		
	USE DIMENSIONS ONLY DO NOT SCALE			TITLE Heat sink bracket kit for SwitchX®-2 with heat-pipe with thermal grease with screws	
GENERAL TOLERANCE:				SIZE	DRAWING / P.N. :
LINEAR: ± 0.1				A3	MTMH00017
RADIAL: ± 0.1					
ANGLES: ± 0.5°					
BTWN HOLE CENTERS: ± 0.1					
			1st ANGLE PROJECTION	SCALE	REV
					00

8

7

6

5

4

3

2

1