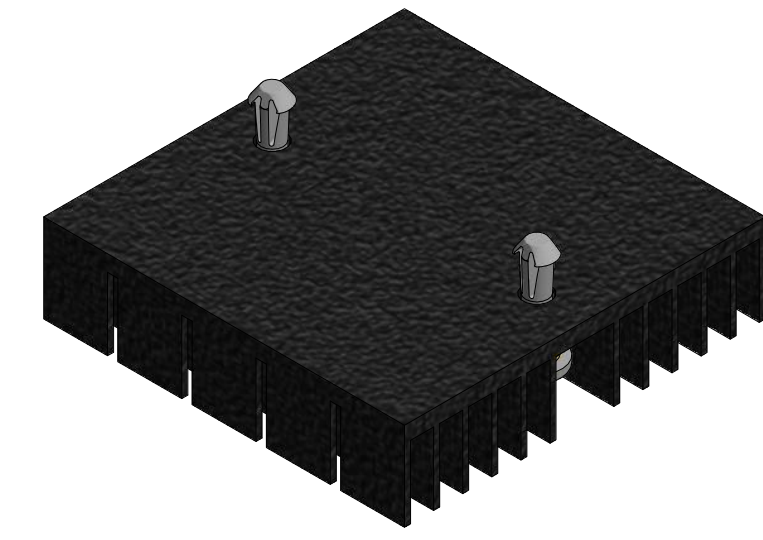
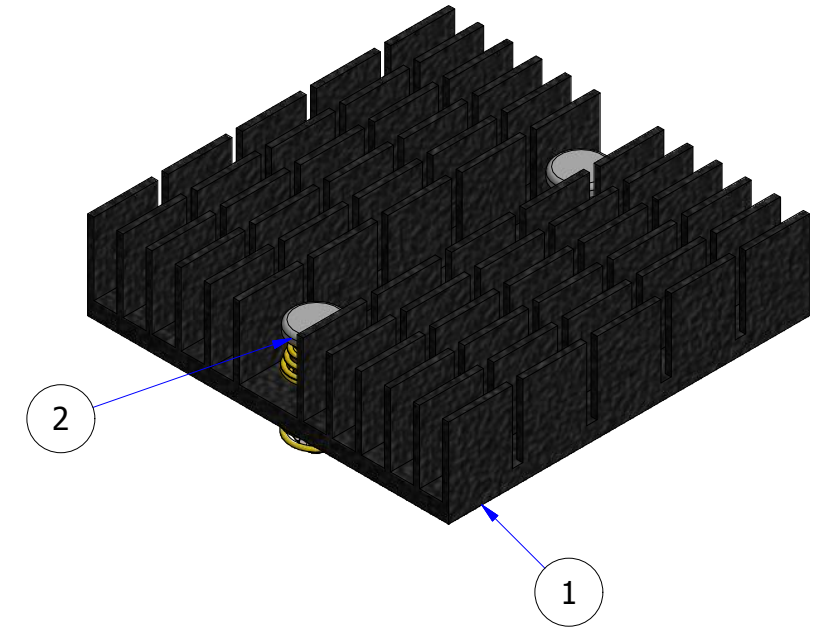
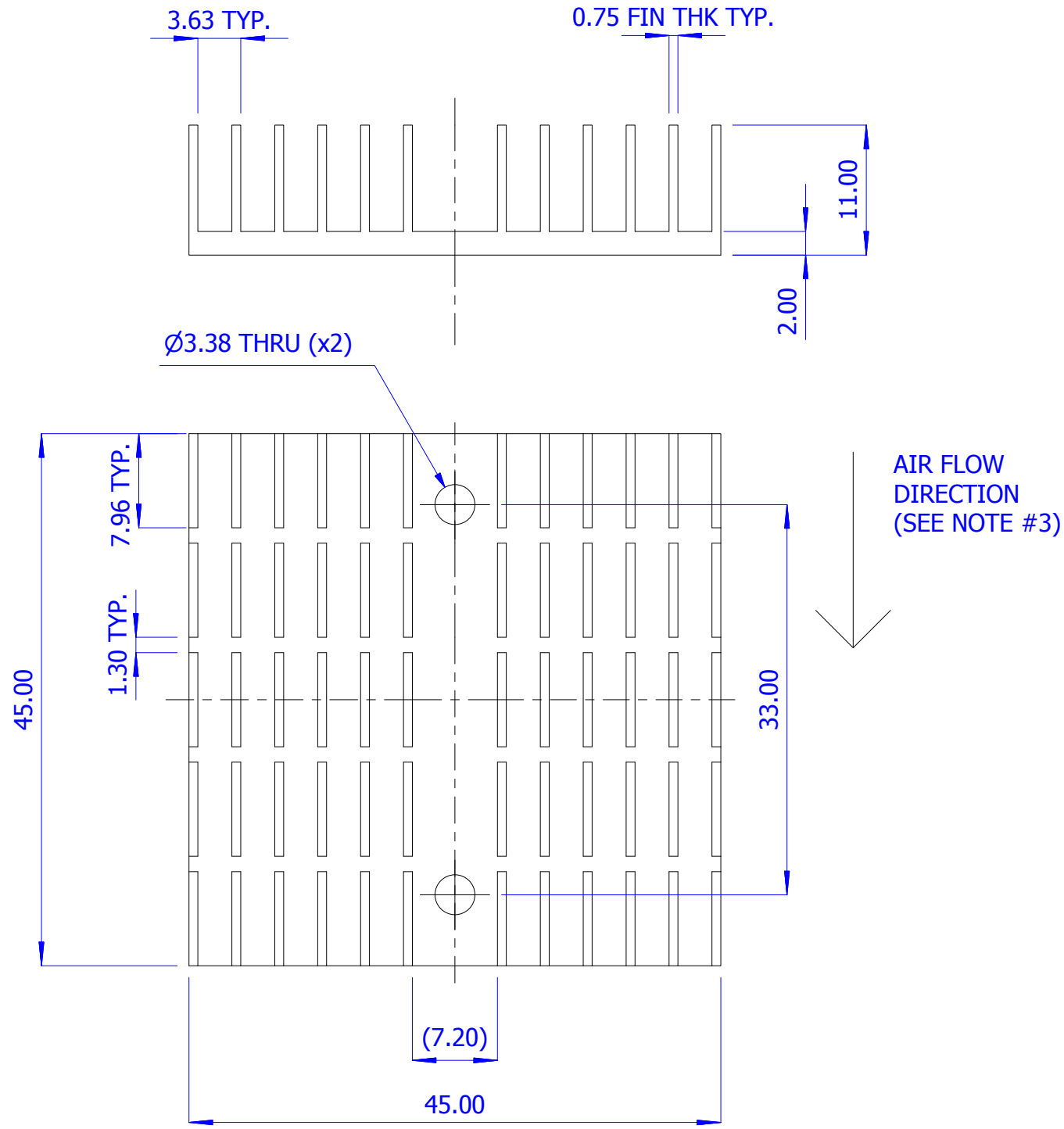


THIS DOCUMENT AND THE INFORMATION CONTAINED IN IT ARE PROPRIETARY AND CONFIDENTIAL TO **MELLANOX TECHNOLOGIES LTD.** LIMITED. NO PERSON IS ALLOWED TO COPY, REPRINT, REPRODUCE OR PUBLISH ANY PART OF THIS DOCUMENT, NOR DISCLOSE ITS CONTENTS TO OTHERS, NOR MAKE ANY USE OF IT, NOR ALLOW OR ASSIST OTHERS TO MAKE ANY USE OF IT - UNLESS BY THE PRIOR WRITTEN EXPRESS AUTHORIZATION OF **MELLANOX TECHNOLOGIES LTD.** AND THEN ONLY TO THE EXTENT AUTHORIZED.
(C) COPYRIGHT - **MELLANOX TECHNOLOGIES LTD.** .

REV	DESCRIPTION	DATE
00	RELEASD PER ECO-015680	7-NOV-2013

NOTES:

1. REF DOC19588 ENVIRONMENTAL REQUIREMENTS FOR SUPPLIERS.
2. ENVIRONMENTAL: ALL MATERIALS AND SURFACE FINISHES COMPLY WITH RoHS DIRECTIVE 2002/95/EC.
3. AIR FLOWS ORIENTED TO THE HEAT SINK FINS.



ITEM	QTY	DESCRIPTION
1	1	HEAT SINK
2	2	PUSH PIN AND SPRING

UNLESS OTHERWISE SPECIFIED DIMENSIONS ARE IN MM		Mellanox Technologies Ltd. P.O.B. 586 Yokneam Zip : 20692 - Israel Tel : 972-4-9097200
USE DIMENSIONS ONLY DO NOT SCALE		
GENERAL TOLERANCE:	TITLE Heat sink for ConnectX®-3 without grease with 2 push-pins SCALE SIZE A3 DRAWING / P.N. : MTMH00022	REV 00
LINEAR: ± 0.1		
RADIAL: ± 0.1		
ANGLES: ± 0.5°		
BTWN HOLE CENTERS: ± 0.1		

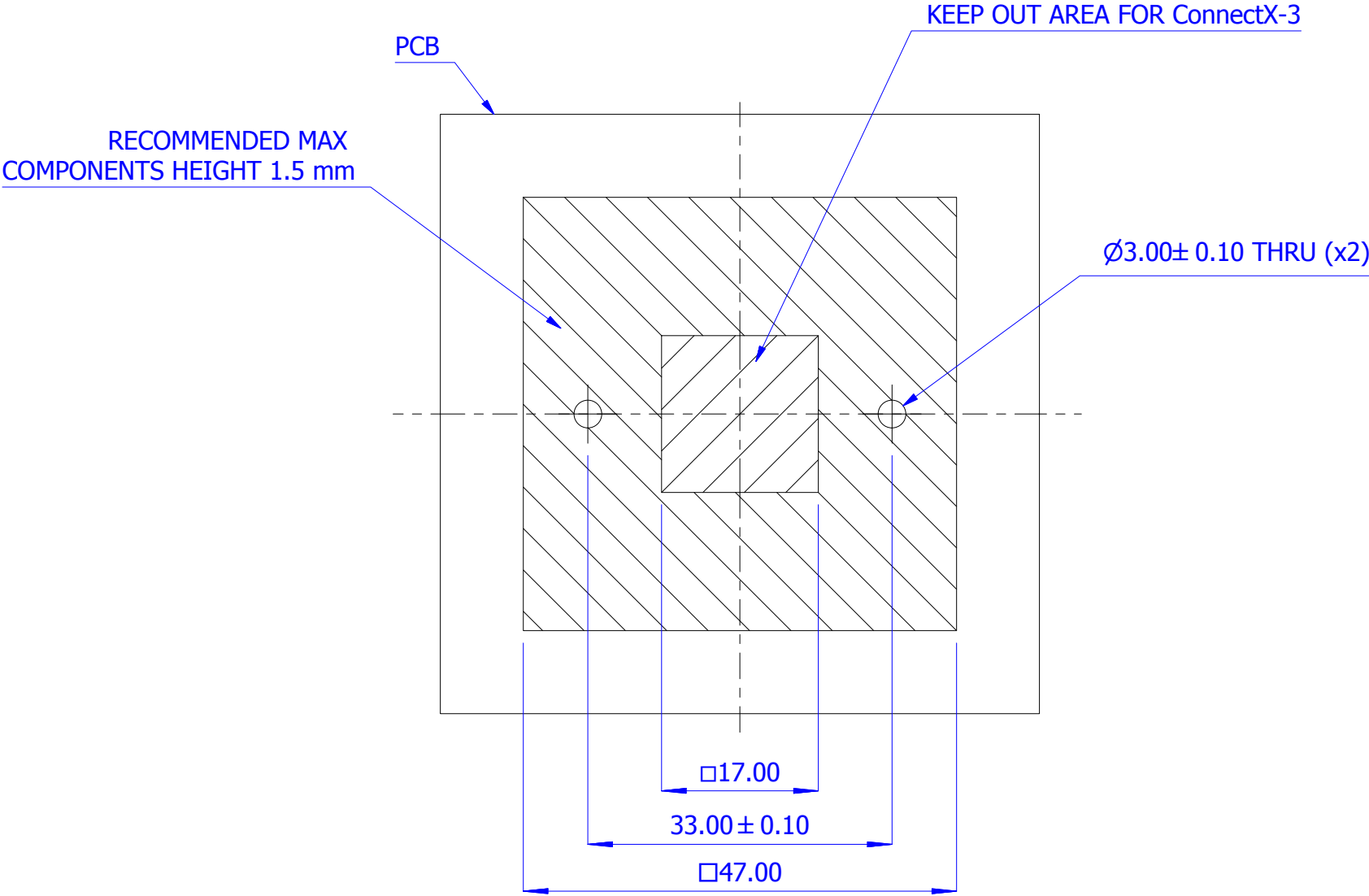
8 7 6 5 4 3 2 1

F
E
D
C
B
A

THIS DOCUMENT AND THE INFORMATION CONTAINED IN IT ARE PROPRIETARY AND CONFIDENTIAL TO **MELLANOX TECHNOLOGIES LTD.** LIMITED. NO PERSON IS ALLOWED TO COPY, REPRINT, REPRODUCE OR PUBLISH ANY PART OF THIS DOCUMENT, NOR DISCLOSE ITS CONTENTS TO OTHERS, NOR MAKE ANY USE OF IT, NOR ALLOW OR ASSIST OTHERS TO MAKE ANY USE OF IT - UNLESS BY THE PRIOR WRITTEN EXPRESS AUTHORIZATION OF **MELLANOX TECHNOLOGIES LTD.** AND THEN ONLY TO THE EXTENT AUTHORIZED.
(C) COPYRIGHT - **MELLANOX TECHNOLOGIES LTD.** .

RECOMMENDED FOOTPRINT

TOP VIEW



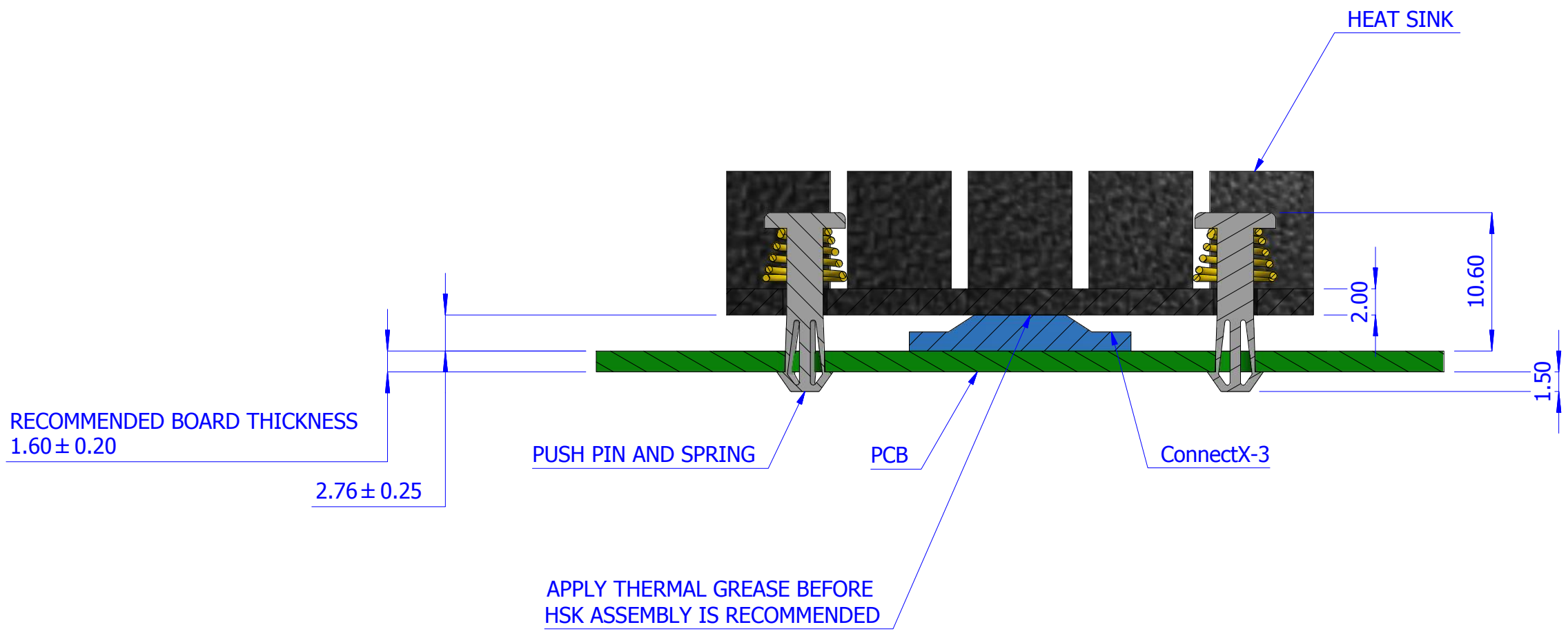
UNLESS OTHERWISE SPECIFIED DIMENSIONS ARE IN MM		Mellanox Technologies Ltd. P.O.B. 586 Yokneam Zip : 20692 - Israel Tel : 972-4-9097200			
USE DIMENSIONS ONLY DO NOT SCALE		TITLE		Heat sink for ConnectX®-3 without grease with 2 push-pins	
GENERAL TOLERANCE:		1st ANGLE PROJECTION		SCALE	
LINER:	± 0.1	SIZE		DRAWING / P.N. :	
RADIAL:	± 0.1	A3		MTMH00022	
ANGLES:	± 0.5°	REV		00	
BTWN HOLE CENTERS:	± 0.1	SHEET 2 OF 3			

8 7 6 5 4 3 2 1

F
E
D
C
B
A

THIS DOCUMENT AND THE INFORMATION CONTAINED IN IT ARE PROPRIETARY AND CONFIDENTIAL TO **MELLANOX TECHNOLOGIES LTD.** LIMITED. NO PERSON IS ALLOWED TO COPY, REPRINT, REPRODUCE OR PUBLISH ANY PART OF THIS DOCUMENT, NOR DISCLOSE ITS CONTENTS TO OTHERS, NOR MAKE ANY USE OF IT, NOR ALLOW OR ASSIST OTHERS TO MAKE ANY USE OF IT - UNLESS BY THE PRIOR WRITTEN EXPRESS AUTHORIZATION OF **MELLANOX TECHNOLOGIES LTD.** AND THEN ONLY TO THE EXTENT AUTHORIZED.
(C) COPYRIGHT - **MELLANOX TECHNOLOGIES LTD.** .

SECTION VIEW



UNLESS OTHERWISE SPECIFIED DIMENSIONS ARE IN MM		Mellanox Technologies Ltd. P.O.B. 586 Yokneam Zip : 20692 - Israel Tel : 972-4-9097200			
USE DIMENSIONS ONLY DO NOT SCALE		TITLE		Heat sink for ConnectX®-3 without grease with 2 push-pins	
GENERAL TOLERANCE:		1st ANGLE PROJECTION	SCALE	SIZE	DRAWING / P.N. :
LINER:	± 0.1			A3	MTMH00022
RADIAL:	± 0.1				
ANGLES:	± 0.5°				
BTWN HOLE CENTERS:	± 0.1			REV	00
				SHEET 3 OF 3	