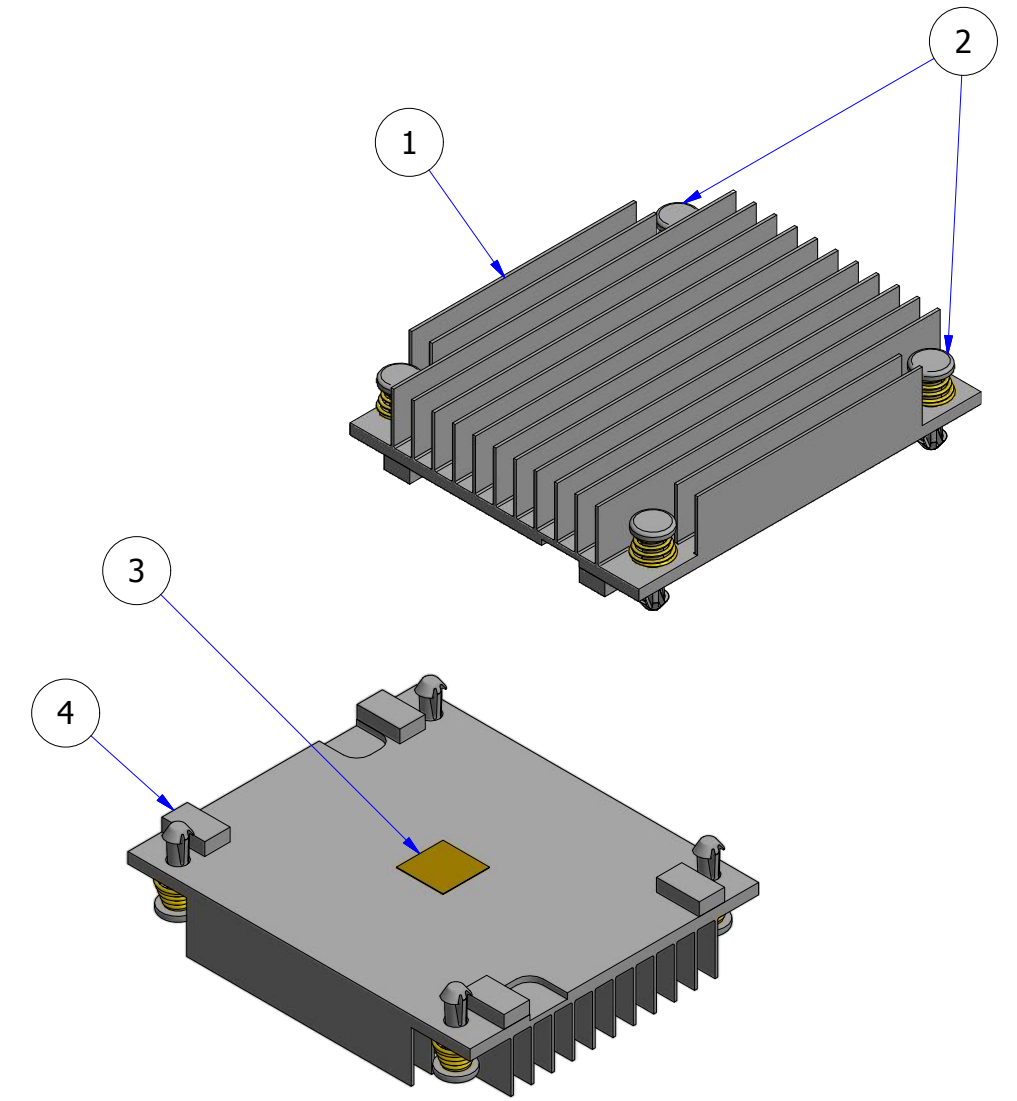
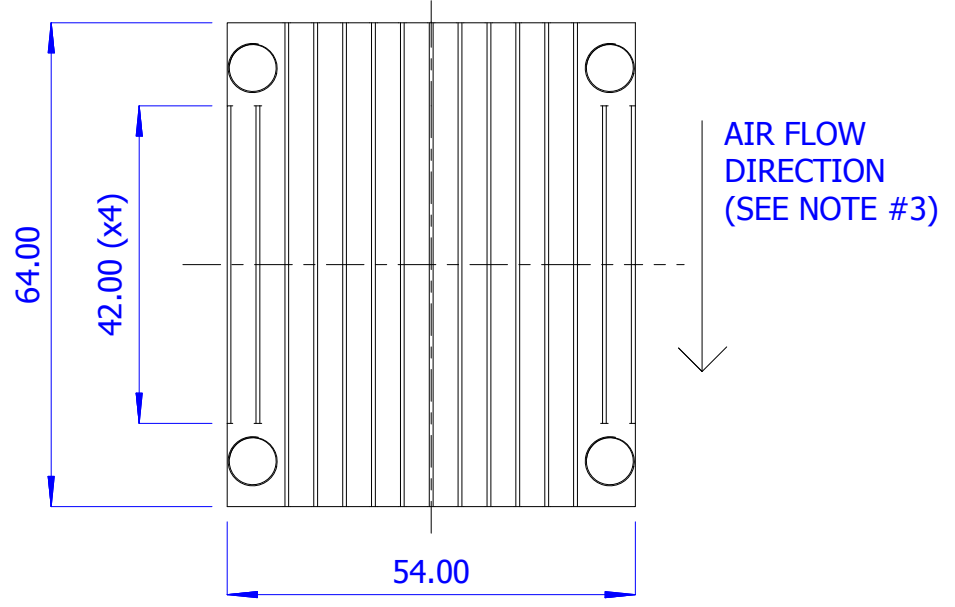
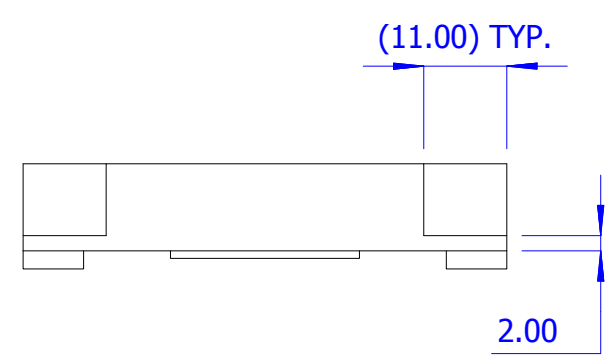
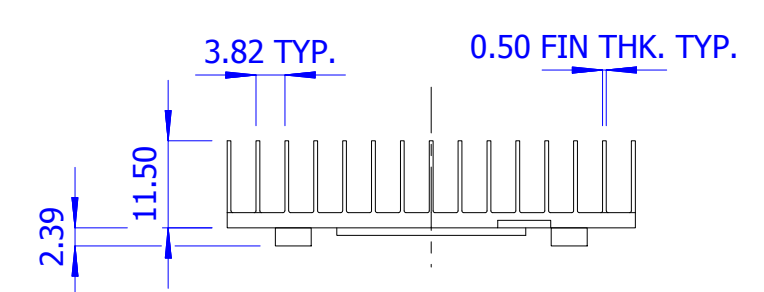
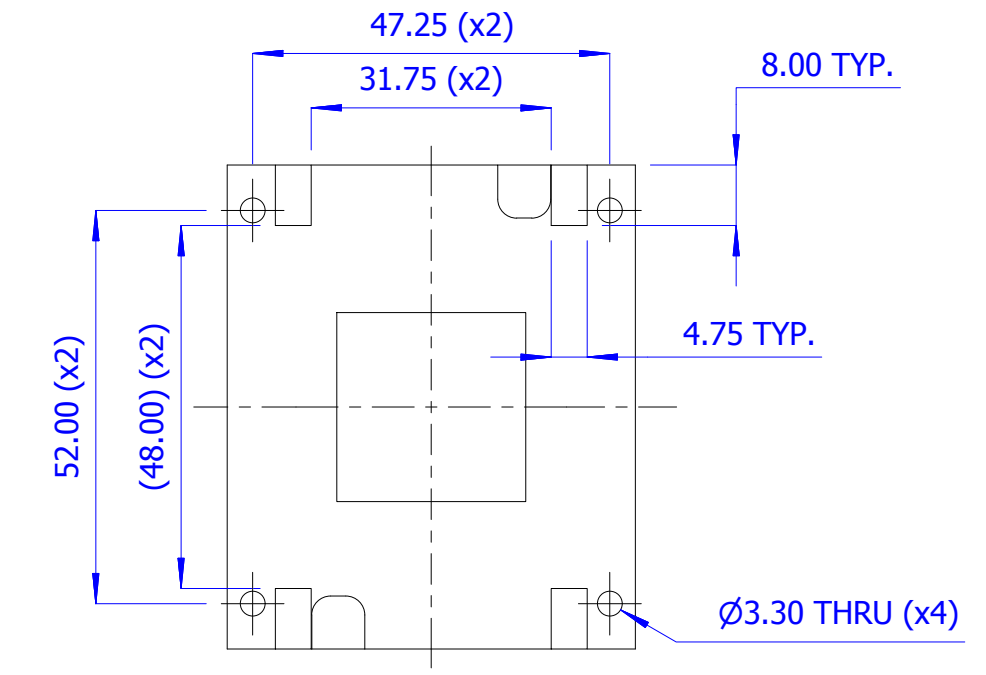


THIS DOCUMENT AND THE INFORMATION CONTAINED IN IT ARE PROPRIETARY AND CONFIDENTIAL TO **MELLANOX TECHNOLOGIES LTD.** LIMITED. NO PERSON IS ALLOWED TO COPY, REPRINT, REPRODUCE OR PUBLISH ANY PART OF THIS DOCUMENT, NOR DISCLOSE ITS CONTENTS TO OTHERS, NOR MAKE ANY USE OF IT, NOR ALLOW OR ASSIST OTHERS TO MAKE ANY USE OF IT - UNLESS BY THE PRIOR WRITTEN EXPRESS AUTHORIZATION OF **MELLANOX TECHNOLOGIES LTD.** AND THEN ONLY TO THE EXTENT AUTHORIZED.
(C) COPYRIGHT - **MELLANOX TECHNOLOGIES LTD.**

REV	DESCRIPTION	DATE
00	RELEASED PER ECO-015680	7-NOV-2013

NOTES:

1. REF DOC19588 ENVIRONMENTAL REQUIREMENTS FOR SUPPLIERS.
2. ENVIRONMENTAL : ALL MATERIALS AND SURFACE FINISHES COMPLY WITH RoHS DIRECTIVE 2002/95/EC.
3. AIR FLOWS ORIENTED TO THE HEAT SINK FINS.



ITEM	QTY	DESCRIPTION
1	1	HEAT SINK
2	4	PUSH PIN AND SPRING
3		GREASE
4	4	BUMPER

UNLESS OTHERWISE SPECIFIED DIMENSIONS ARE IN MM		Mellanox Technologies Ltd. P.O.B. 586 Yokneam Zip : 20692 - Israel Tel : 972-4-9097200		
USE DIMENSIONS ONLY DO NOT SCALE		TITLE		
GENERAL TOLERANCE:		1st ANGLE PROJECTION	Heat sink for Connect-IB™ with thermal grease with 4 push-pins	
LINEAR:	± 0.1		SIZE	DRAWING / P.N. :
RADIAL:	± 0.1		A3	MTMH00069
ANGLES:	± 0.5°		SCALE	REV
BTWN HOLE CENTERS:	± 0.1		00	

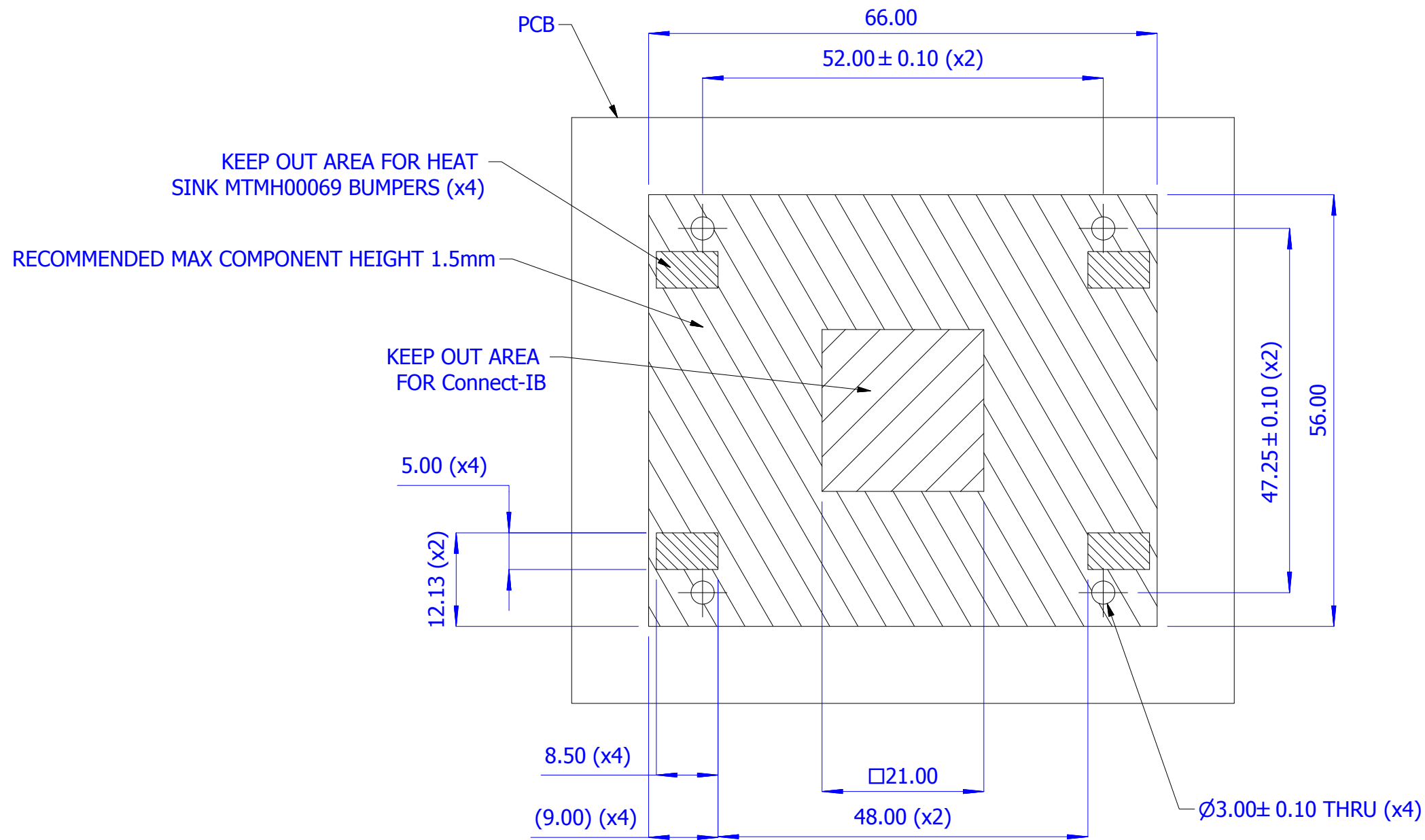
8 7 6 5 4 3 2 1

F
E
D
C
B
A

THIS DOCUMENT AND THE INFORMATION CONTAINED IN IT ARE PROPRIETARY AND CONFIDENTIAL TO **MELLANOX TECHNOLOGIES LTD.** LIMITED. NO PERSON IS ALLOWED TO COPY, REPRINT, REPRODUCE OR PUBLISH ANY PART OF THIS DOCUMENT, NOR DISCLOSE ITS CONTENTS TO OTHERS, NOR MAKE ANY USE OF IT, NOR ALLOW OR ASSIST OTHERS TO MAKE ANY USE OF IT - UNLESS BY THE PRIOR WRITTEN EXPRESS AUTHORIZATION OF **MELLANOX TECHNOLOGIES LTD.** AND THEN ONLY TO THE EXTENT AUTHORIZED.
(C) COPYRIGHT - **MELLANOX TECHNOLOGIES LTD.** .

RECOMMENDED FOOTPRINT

TOP VIEW



UNLESS OTHERWISE SPECIFIED DIMENSIONS ARE IN MM		Mellanox Technologies Ltd. P.O.B. 586 Yokneam Zip : 20692 - Israel Tel : 972-4-9097200			
USE DIMENSIONS ONLY DO NOT SCALE		TITLE		Heat sink for Connect-IB™ with thermal grease with 4 push-pins	
GENERAL TOLERANCE:		1st ANGLE PROJECTION		SCALE	
LINER:	± 0.1			SIZE	DRAWING / P.N. :
RADIAL:	± 0.1			A3	MTMH00069
ANGLES:	± 0.5°			REV	00
BTWN HOLE CENTERS:	± 0.1			SHEET 2 OF 3	

8 7 6 5 4 3 2 1

F
E
D
C
B
A

THIS DOCUMENT AND THE INFORMATION CONTAINED IN IT ARE PROPRIETARY AND CONFIDENTIAL TO **MELLANOX TECHNOLOGIES LTD.** LIMITED. NO PERSON IS ALLOWED TO COPY, REPRINT, REPRODUCE OR PUBLISH ANY PART OF THIS DOCUMENT, NOR DISCLOSE ITS CONTENTS TO OTHERS, NOR MAKE ANY USE OF IT, NOR ALLOW OR ASSIST OTHERS TO MAKE ANY USE OF IT - UNLESS BY THE PRIOR WRITTEN EXPRESS AUTHORIZATION OF **MELLANOX TECHNOLOGIES LTD.** AND THEN ONLY TO THE EXTENT AUTHORIZED.
(C) COPYRIGHT - **MELLANOX TECHNOLOGIES LTD.** .

PUSH PIN AND SPRING

SECTION VIEW

HEAT SINK

RECOMMENDED BOARD THICKNESS
1.60 ± 0.20

2.39 ± 0.25

Connect-IB

B

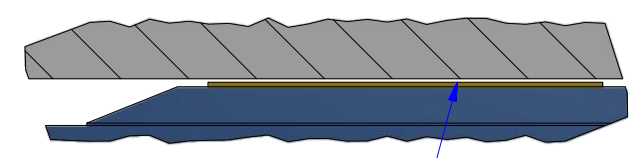
PCB

2.00

10.60

1.50

DETAIL B



3

THERMALLY CONDUCTIVE GREASE: THERMAL GREASE SHIN-ETSU CHEMICAL CO.LTD 0.1mm THICK P/N X-23-7783D IS PART OF A HEAT SINK.

UNLESS OTHERWISE SPECIFIED DIMENSIONS ARE IN MM		Mellanox Technologies Ltd. P.O.B. 586 Yokneam Zip : 20692 - Israel Tel : 972-4-9097200				
USE DIMENSIONS ONLY DO NOT SCALE		TITLE		Heat sink for Connect-IB™ with thermal grease with 4 push-pins		
GENERAL TOLERANCE:		1st ANGLE PROJECTION	SCALE	SIZE	DRAWING / P.N. :	REV
LINEAR:	± 0.1			A3	MTMH00069	00
RADIAL:	± 0.1					
ANGLES:	± 0.5°					
BTWN HOLE CENTERS:		± 0.1				
				SHEET 3 OF 3		