

# ConnectX<sup>®</sup>-5 EN IC

## 100Gb/s Ethernet Adapter IC



Intelligent RDMA-enabled network adapter with advanced application offload capabilities for High-Performance Computing, Web2.0, Cloud and Storage platforms

ConnectX-5 EN supports two ports of 100Gb Ethernet connectivity, sub-600ns latency, and a very high message rate, plus PCIe switch and NVMe over Fabric offloads, providing the highest performance and most flexible solution for the most demanding applications and markets: Machine Learning, Data Analytics, and more.

### HPC ENVIRONMENTS

ConnectX-5 delivers high bandwidth, low latency, and high computation efficiency for high performance, data intensive and scalable compute and storage platforms. ConnectX-5 offers enhancements to HPC infrastructures by providing MPI and SHMEM/PGAS and Rendezvous Tag Matching offload, hardware support for out-of-order RDMA Write and Read operations, as well as additional Network Atomic and PCIe Atomic operations support.

ConnectX-5 EN utilizes RoCE (RDMA over Converged Ethernet) technology, delivering low-latency and high performance. ConnectX-5 enhances RDMA network capabilities by completing the Switch Adaptive-Routing capabilities and supporting data delivered out-of-order, while maintaining ordered completion semantics, providing multipath reliability and efficient support for all network topologies including DragonFly and DragonFly+.

ConnectX-5 also supports Burst Buffer offload for background checkpointing without interfering in the main CPU operations, and the innovative transport service Dynamic Connected Transport (DCT) to ensure extreme scalability for compute and storage systems.

### STORAGE ENVIRONMENTS

NVMe storage devices are gaining popularity, offering very fast storage access. The evolving NVMe over Fabric (NVMe-oF) protocol leverages the RDMA connectivity for remote access. ConnectX-5 offers further enhancements by providing NVMe-oF target offloads, enabling very efficient NVMe storage access with no CPU intervention, and thus improved performance and lower latency.

Moreover, the embedded PCIe switch enables customers to build standalone storage or Machine Learning appliances. As with the earlier generations of ConnectX adapters, standard block and file access protocols can leverage RoCE for high-performance storage access. A consolidated compute and storage network achieves significant cost-performance advantages over multi-fabric networks.

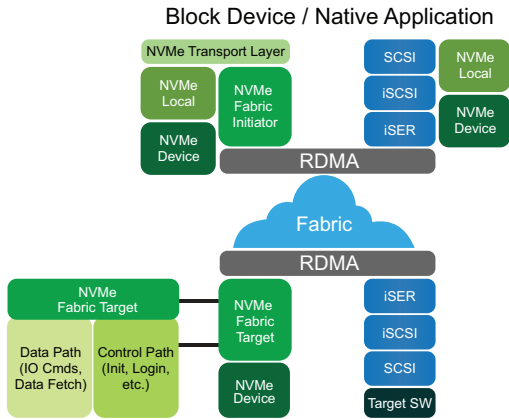
## HIGHLIGHTS

### FEATURES

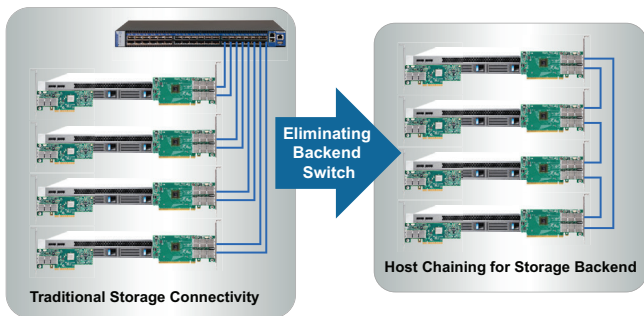
- Tag matching and rendezvous offloads
- Adaptive routing on reliable transport
- Burst buffer offloads for background checkpointing
- NVMe over Fabric (NVMe-oF) offloads
- Back-end switch elimination by host chaining
- Embedded PCIe switch
- Enhanced vSwitch/vRouter offloads
- Flexible pipeline
- RoCE for overlay networks
- PCIe Gen 4 support

### BENEFITS

- Up to 100Gb/s connectivity per port
- CPU utilization and high message rate
- Maximizes data center ROI with Multi-Host technology
- Innovative rack design for storage and Machine Learning based on Host Chaining technology
- Smart interconnect for x86, Power, Arm, and GPU-based compute and storage platforms
- Advanced storage capabilities including NVMe over Fabric offloads
- Intelligent network adapter supporting flexible pipeline programmability
- Cutting-edge performance in virtualized networks including Network Function Virtualization (NFV)
- Enabler for efficient service chaining capabilities
- Efficient I/O consolidation, lowering data center costs and complexity



ConnectX-5 enables an innovative storage rack design, Host Chaining, by which different servers can interconnect directly without involving the Top of the Rack (ToR) switch. Alternatively, the Multi-Host technology that was first introduced with ConnectX-4 can be used. Mellanox's Multi-Host technology allows multiple hosts to be connected into a single adapter by separating the PCIe interface into multiple and independent interfaces. With the various new rack design alternatives, ConnectX-5 lowers the total cost of ownership (TCO) in the data center by reducing CAPEX (cables, NICs, and switch port expenses), and by reducing OPEX by cutting down on switch port management and overall power usage.



## CLOUD AND WEB2.0 ENVIRONMENTS

Cloud and Web2.0 customers that are developing their platforms on (Software Defined Network) SDN environments, are leveraging their servers' Operating System Virtual-Switching capabilities to enable maximum flexibility.

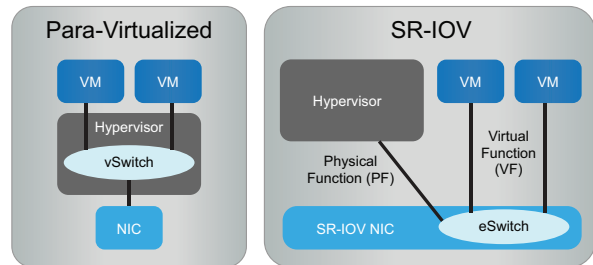
Open VSwitch (OVS) is an example of a virtual switch that allows Virtual Machines to communicate with each other and with the outside world. Virtual switch traditionally resides in the hypervisor and switching is based on twelve-tuple matching on flows. The virtual switch or virtual router software-based solution is CPU intensive, affecting system performance and preventing fully utilizing available bandwidth.

Mellanox Accelerated Switching And Packet Processing (ASAP<sup>2</sup>) Direct technology allows to offload vSwitch/vRouter by handling the data plane in the NIC hardware while maintaining the control plane unmodified. As a result there is significantly higher vSwitch/vRouter performance without the associated CPU load.

The vSwitch/vRouter offload functions that are supported by ConnectX-5 include Overlay Networks (for example, VXLAN, NVGRE, MPLS, GENEVE, and NSH) headers' encapsulation and de-encapsulation, as well as Stateless offloads of inner packets, packet headers' re-write enabling NAT functionality, and more.

Moreover, the intelligent ConnectX-5 flexible pipeline capabilities, which include flexible parser and flexible match-action tables, can be programmed, which enable hardware offloads for future protocols.

ConnectX-5 SR-IOV technology provides dedicated adapter resources and guaranteed isolation and protection for virtual machines (VMs) within the server. Moreover, with ConnectX-5 Network Function Virtualization (NFV), a VM can be used as a virtual appliance. With full data-path operations offloads as well as hairpin hardware capability and service chaining, data can be handled by the Virtual Appliance with minimum CPU utilization.



With these capabilities data center administrators benefit from better server utilization while reducing cost, power, and cable complexity, allowing more Virtual Appliances, Virtual Machines and more tenants on the same hardware.

## STANDARD & MULTI-HOST MANAGEMENT

Mellanox's host management technology for standard and multi-host platforms optimizes board management and power, performance and firmware update management via NC-SI, MCTP over SMBus and MCTP over PCIe, as well as PLDM for Monitor and Control DSP0248 and PLDM for Firmware Update DSP0267.

## COMPATIBILITY

### PCI Express Interface

- PCIe Gen 4
- PCIe Gen 3.0, 1.1 and 2.0 compatible
- 2.5, 5.0, 8, 16GT/s link rate
- Auto-negotiates to x16, x8, x4, x2, or x1 lanes
- PCIe Atomic
- TLP (Transaction Layer Packet) Processing Hints (TPH)
- Embedded PCIe Switch: Up to 8 bifurcations

- PCIe switch Downstream Port Containment (DPC) enablement for PCIe hot-plug
- Access Control Service (ACS) for peer-to-peer secure communication
- Advance Error Reporting (AER)
- Process Address Space ID (PASID) Address Translation Services (ATS)
- IBM CAPI v2 support (Coherent Accelerator Processor Interface)
- Support for MSI/MSI-X mechanisms

### Operating Systems/Distributions\*

- RHEL/CentOS
- Windows
- FreeBSD
- VMware
- OpenFabrics Enterprise Distribution (OFED)
- OpenFabrics Windows Distribution (WinOF-2)

### Connectivity

- Interoperability with Ethernet switches (up to 100GbE)
- Passive copper cable with ESD protection
- Powered connectors for optical and active cable support

## FEATURES

### Ethernet

- 100GbE / 50GbE / 40GbE / 25GbE / 10GbE / 1GbE
- IEEE 802.3bj, 802.3bm 100 Gigabit Ethernet
- IEEE 802.3by, Ethernet Consortium 25, 50 Gigabit Ethernet, supporting all FEC modes
- IEEE 802.3ba 40 Gigabit Ethernet
- IEEE 802.3ae 10 Gigabit Ethernet
- IEEE 802.3az Energy Efficient Ethernet (fast wake)
- IEEE 802.3ap based auto-negotiation and KR startup
- IEEE 802.3ad, 802.1AX Link Aggregation
- IEEE 802.1Q, 802.1P VLAN tags and priority
- IEEE 802.1Qau (QCN) – Congestion Notification
- IEEE 802.1Qaz (ETS)
- IEEE 802.1Qbb (PFC)
- IEEE 802.1Qbg
- IEEE 1588v2
- Jumbo frame support (9.6KB)

### Enhanced Features

- Hardware-based reliable transport
- Collective operations offloads
- Vector collective operations offloads
- PeerDirect™ RDMA (aka GPUDirect®) communication acceleration
- 64/66 encoding
- Extended Reliable Connected transport (XRC)
- Dynamically Connected transport (DCT)
- Enhanced Atomic operations

- Advanced memory mapping support, allowing user mode registration and remapping of memory (UMR)
- On demand paging (ODP)
- MPI Tag Matching
- Rendezvous protocol offload
- Out-of-order RDMA supporting Adaptive Routing
- Burst buffer offload
- In-Network Memory registration-free RDMA memory access

### CPU Offloads

- RDMA over Converged Ethernet (RoCE)
- TCP/UDP/IP stateless offload
- LSO, LRO, checksum offload
- RSS (also on encapsulated packet), TSS, HDS, VLAN and MPLS tag insertion / stripping, Receive flow steering
- Data Plane Development Kit (DPDK) for kernel bypass applications
- Open VSwitch (OVS) offload using ASAP<sup>2</sup>
  - Flexible match-action flow tables
  - Tunneling encapsulation/ de-capsulation
- Intelligent interrupt coalescence
- Header rewrite supporting hardware offload of NAT router

### Storage Offloads

- NVMe over Fabric offloads for target machine
- Erasure Coding offload – offloading Reed-Solomon calculations

- T10 DIF – Signature handover operation at wire speed, for ingress and egress traffic
- Storage protocols: SRP, iSER, NFS RDMA, SMB Direct, NVMe-oF

### Overlay Networks

- RoCE over Overlay Networks
- Stateless offloads for overlay network tunneling protocols
- Hardware offload of encapsulation and decapsulation of VXLAN, NVGRE, and GENEVE overlay networks

### Hardware-Based I/O Virtualization

- Single Root IOV
- Address translation and protection
- VMware NetQueue support
- SR-IOV: Up to 1K Virtual Functions
- SR-IOV: Up to 16 Physical Functions per host
- Virtualization hierarchies (e.g., NPAR and Multi-Host, when enabled)
  - Virtualizing Physical Functions on a physical port
  - SR-IOV on every Physical Function
- Configurable and user-programmable QoS
- Guaranteed QoS for VMs

### Multi-Host

- Independent PCIe interfaces to independent hosts
  - Two PCIe x8 to two hosts or four PCIe x4 to four hosts
  - Independent NC-SI SMBus interfaces
  - Independent stand-by and wake-on-LAN signals

- Multi-Host Socket Direct – overcoming the QPI bottlenecks

### HPC Software Libraries

- Open MPI, IBM PE, OSU MPI (MVAPICH/2), Intel MPI
- Platform MPI, UPC, Open SHMEM

### Management and Control

- NC-SI, MCTP over SMBus and MCTP over PCIe - Baseboard Management Controller interface
- PLDM for Monitor and Control DSP0248
- PLDM for Firmware Update DSP0267
- SDN management interface for managing the eSwitch
- I<sup>2</sup>C interface for device control and configuration
- General Purpose I/O pins
- SPI interface to Flash
- JTAG IEEE 1149.1 and IEEE 1149.6

### Remote Boot

- Remote boot over Ethernet
- Remote boot over iSCSI
- Unified Extensible Firmware Interface (UEFI)
- Pre-execution Environment (PXE)

\* This section describes hardware features and capabilities. Please refer to the driver and firmware release notes for feature availability.

Table 1 - Part Numbers and Descriptions

OPN	Description
MT27808A0-FCCF-AE	ConnectX-5 EN, 2-port IC, 25GbE, PCIe 3.0 x16
MT27804A0-FCCF-CE	ConnectX-5 EN, 1-port IC, 40/50/100GbE, PCIe 3.0 x16
MT27808A0-FCCF-CE	ConnectX-5 EN, 2-port IC, 40/50/100GbE, PCIe 3.0 x16
MT27808A0-FCCF-CEM	ConnectX-5 EN, 2-port IC, 40/50/100GbE, Multi-Host, PCIe 3.0 x16