

Passive Copper SFP+ 10Gb/s Cables Datasheet

Overview

Mellanox SFP+ passive copper cables are 10Gb/s cables assembly. The cables are compliant with SFF-8431 specifications and provide connectivity between devices using SFP+ ports. The cables use state-of-the-art signal processing technology to fill the expanding need for cost effective data center interconnects. Mellanox unique quality passive copper cable solutions provide power-efficient replacement for active power connectivity such as fiber optic cables. Optimizing systems to operate with Mellanox's 10GbE SFP+ passive copper cables significantly reduce power consumption. Rigorous cable production testing ensures best out-of-the-box installation experience, performance and durability.



Table 1 - Cable Specifications and Ordering Information

Maximum Reach [m]	Cable Diameter [mm]	Minimum Bulk Bend Radius [mm]	Length Tolerance [mm]	Ordering Part Number
0.5	4.5	25	+100	MC3309130-00A
1	4.5	25	+100	MC3309130-001
2	4.5	25	+100	MC3309130-002
3	4.5	25	+100	MC3309130-003
5	6.5	35	+100	MC3309124-005
7	6.5	35	+100	MC3309124-007

Table 2 - Absolute Maximum Ratings

Parameter	Range
Operating Voltage	3.3V
Operating Case Temperature	0°C to 70°C
Storage Ambient Temperature	-10°C to 75°C

Table 3 - Operating Conditions

Parameter	Minimum	Typical	Maximum	Units
Supply Voltage	3.15	3.3	3.45	V
Data Rate per Lane	1.0		10.5	Gb/s

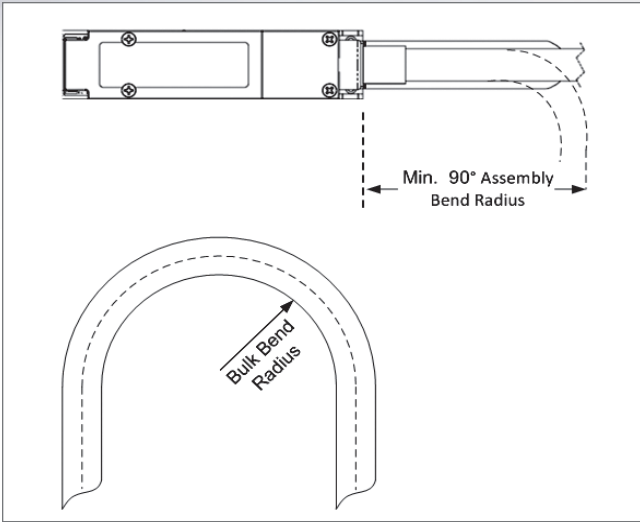


Figure 1. Mechanical Drawings and Information

Warranty Information

The Mellanox Passive Copper 10Gb/s SFP+ cables include a 1-year limited hardware warranty, which covers repair or replacement.

Additional Information

For more information about Mellanox SFP+ cable solutions, please contact your Mellanox Technologies sales representative or visit: <http://www.mellanox.com=>Products=>Cables=>Cables Overview>

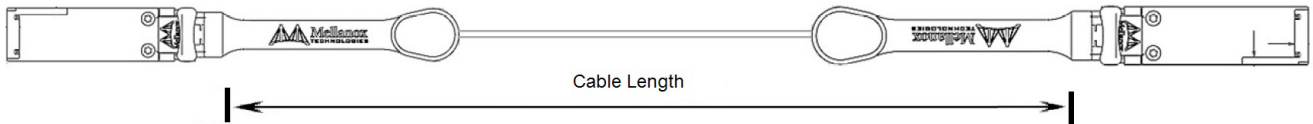


Figure 2. Mechanical Drawings and Information

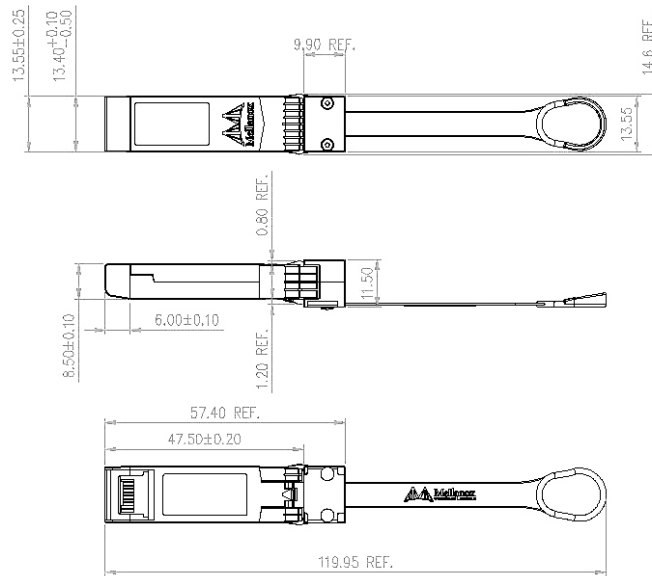


Figure 3. Mechanical Drawings and Information



350 Oakmead Parkway, Suite 100, Sunnyvale, CA 94085
 Tel: 408-970-3400 • Fax: 408-970-3403
www.mellanox.com