



# 56Gb/s QSFP+ SR4-Lite Optical Transceiver



## MC2207411-SR4L

The Mellanox® 56Gb/s QSFP+ module contains four fiber optic transceivers, each operating at data rates of up to 14.0625Gb/s. This module provides reliable transport for aggregate data rates up to 56Gb/s Virtual Port Interconnect (VPI). This SFF-8685 compliant module can be used for either Ethernet or InfiniBand link protocols.

The Mellanox 56GbE SR4-Lite transceiver is optimized for low-power consumption at reduced reaches of up to 30m where longer reaches are not necessary. The SR4-Lite transceiver in low-power mode offers 0.8W power consumption versus standard SR4s.

Rigorous production testing ensures the best out-of-the-box installation experience, performance and durability.

Table 1 - Absolute Maximum Ratings

| Parameter                  | Minimum | Maximum               | Units |
|----------------------------|---------|-----------------------|-------|
| Supply voltage             | -0.5    | 3.6                   | V     |
| Data input voltage         | -0.3    | V <sub>cc</sub> + 0.3 | V     |
| Control input voltage      | -0.3    | V <sub>cc</sub> + 0.3 | V     |
| Damage threshold, per lane | 3.4     | ---                   | dBm   |
| Storage temperature        | -40     | 85                    | °C    |

Table 2 - Operational Specifications

| Parameter                                | Minimum | Typical | Maximum | Units |
|--|---------|---------|---------|-------|
| Supply voltage (V <sub>cc</sub> )        | 3.15    | 3.3     | 3.45    | V     |
| Power consumption at default Rx settings | ---     | 1.0     | 1.2     | W     |
| Power consumption at low Rx settings     | ---     | 0.8     | 1.0     | W     |
| Supply noise rejection                   | ---     | ---     | 50      | mVpp  |
| Operating case temperature               | 0       | ---     | 70      | °C    |
| Operating relative humidity              | 0       | ---     | 85      | %     |

## HIGHLIGHTS

- Up 56Gb/s data rate
- Configurable as 4x10G Ethernet and 4x14G InfiniBand
- Programmable Rx output amplitude
- 0.8W power consumption at low Rx output amplitude
- SFF-8685 compliant
- Operating case temperature of 1-70°C
- 3.3V power supply
- Hot pluggable
- Class 1 Laser Safety
- Maximum link length of 30m on OM3 multimode fiber
- Single 1x12 MPO receptacle
- RoHS compliant

# Mechanical Schematics

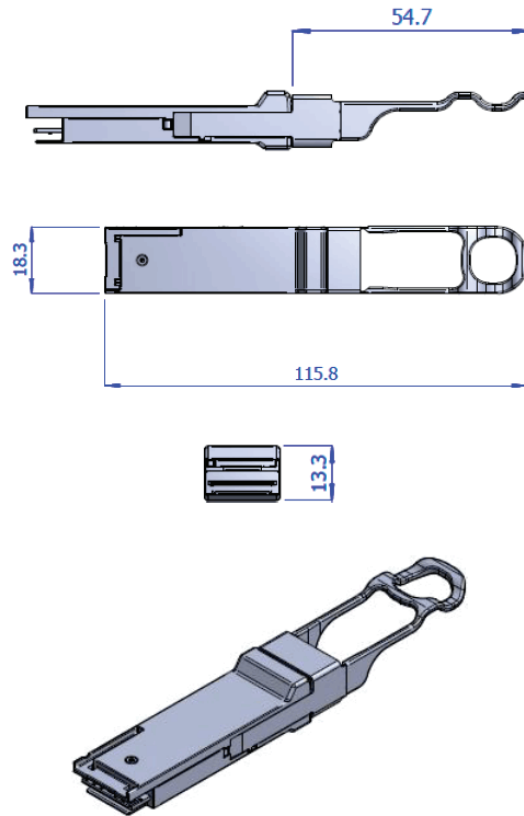


Table 3 - Part Number and Description

| OPN            | Description  |
|----------------|--|
| MC2207411-SR4L | Mellanox® optical module, VPI, up to 56Gb/s, QSFP, MPO, 850nm, up to 30m |

## Warranty Information

Mellanox optical transceivers include a 1-year limited hardware warranty, which covers parts repair or replacement.