



10GbE SFP+ 10GBASE-LR Optical Transceiver



MFM1T02A-LR

The Mellanox® 10.3125Gb/s SFP+ module contains one fiber optic transceiver, operating at data rates of up to 10.3125Gb/s.

Rigorous production testing ensures the best out-of-the-box installation experience, performance, and durability.

Table 1 - Absolute Maximum Ratings

Parameter	Minimum	Maximum	Units
Supply voltage	-0.5	4.0	V
Data input voltage	-0.3	V _{cc} +0.3	V
Control input voltage	-0.3	V _{cc} +0.3	V
Damage threshold	3.4	---	dBm
Storage temperature	-40	85	°C

Table 2 - Operational Specifications

Parameter	Minimum	Typical	Maximum	Units
Supply voltage (V _{cc})	3.14	3.3	3.46	V
Power consumption	---	---	1	W
Supply noise rejection	Tolerance according to SFF-8431			mVpp
Operating case temperature	0	---	70	°C
Operating relative humidity	0	---	85	%

HIGHLIGHTS

- 10.3125Gb/s data rate
- 1W maximum power consumption
- SFF-8431 and SFF-8432 compliant
- IEEE 802.3ae 10GBASE-LR compliant
- Operating case temperature of 0°C to 70°C
- 3.3V power supply
- BER lower than 1E-15
- Hot pluggable
- Class 1 laser safety
- Maximum link length of 10km
- Duplex LC connector
- RoHS compliant

Mechanical Schematics

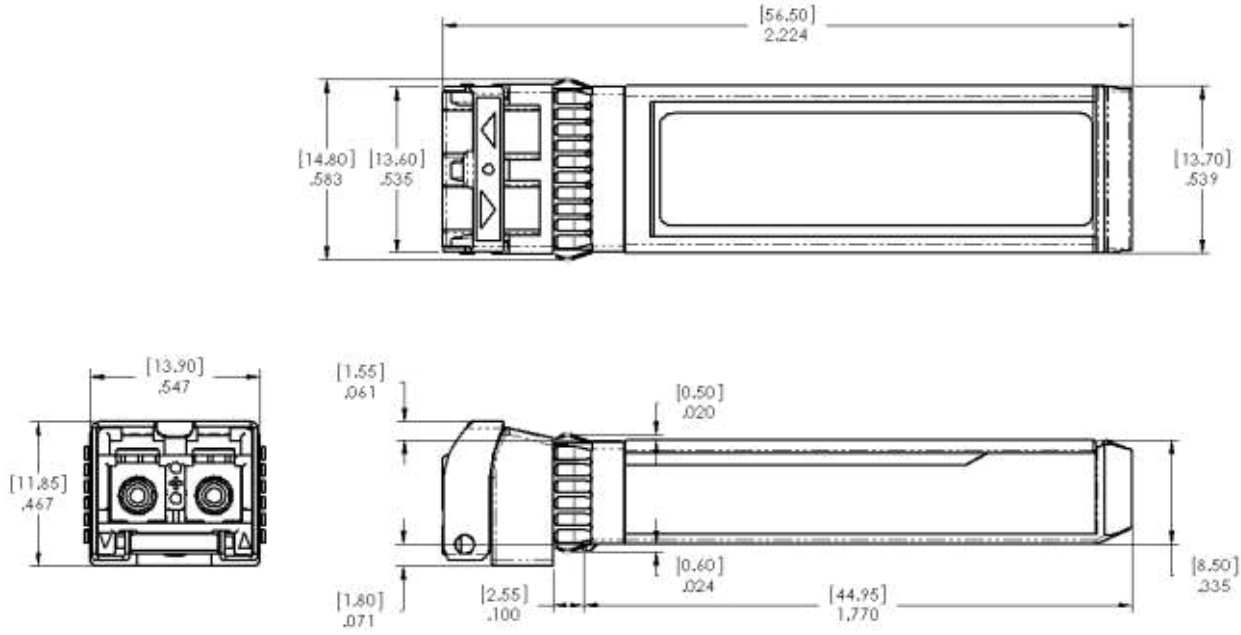


Table 3 - Part Number and Description

OPN	Description
MFM1T02A-LR	Mellanox® SFP+ optical module for 10GBASE-LR

Warranty Information

Mellanox LinkX optical transceivers include a 1-year limited hardware warranty, which covers parts repair or replacement.



350 Oakmead Parkway, Suite 100, Sunnyvale, CA 94085
 Tel: 408-970-3400 • Fax: 408-970-3403
www.mellanox.com