



200Gb/s HDR to 2x100Gb/s HDR100 (QSFP56 to 2xQSFP56) MMF Active Optical Splitter Cable



MFS1S50-HxxxE

Mellanox® MFS1S50-HxxxE is a QSFP56 VCSEL-based (Vertical Cavity Surface-Emitting Laser), cost-effective 200Gb/s to 2 x 100Gb/s active optical splitter cable (AOC) designed for use in 200Gb/s InfiniBand HDR (High Data Rate) systems.

The MFS1S50-HxxxE cable is compliant with SFF-8665 for the QSFP56 pluggable solution. It provides connectivity between system units with a 200Gb/s connector on one side and two separate 100Gb/s connectors on the other side, such as a switch and two servers. The cable connects data signals from each of the 4 MMF (Multi Mode Fiber) pairs on the single QSFP56 end to the dual pair of each of the QSFP56 multiport ends. Each QSFP56 end of the cable comprises an EEPROM providing product and status monitoring information, which can be read by the host system.

Rigorous production testing ensures the best out-of-the-box installation experience, performance and durability.

Mellanox's unique quality active fiber cable solutions provide power-efficient connectivity for data center interconnects. They enable higher port bandwidth, density and configurability at a low cost, and reduced power requirement in the data centers.

Table 1 - Absolute Maximum Ratings

Parameter	Minimum	Maximum	Units
Supply voltage	-0.3	3.6	V
Data input voltage	-0.3	3.465	V
Control input voltage	-0.3	4.0	V
Damage threshold	3.4	---	dBm
Storage temperature	-40	85	°C

Table 2 - Operational Specifications

Parameter	Minimum	Typical	Maximum	Units
Supply voltage (Vcc)	3.135	3.3	3.465	V
Power dissipation 200Gb/s end	---	4.35	4.55	W
Power dissipation 100Gb/s end	---	2.50	2.75	W
Supply noise tolerance (10Hz-10MHz)	66	---	---	mVpp
Operating case temperature	0	---	70 ⁽¹⁾	°C
Operating relative humidity	5	---	85	%

Note 1. Internal temperature readout through DDMI of up to 75°C is allowed.

HIGHLIGHTS

- Supports IBTA InfiniBand HDR
- 200Gb/s HDR to 2x100Gb/s HDR100 data rate
- 4x 50Gb/s PAM4 modulation
- Programmable Rx output amplitude and pre-emphasis
- SFF-8665 compliant QSFP56 port
- Single 3.3V power supply
- 4.35W power dissipation (typ., 200G end)
- Up to 30m length
- Hot pluggable
- RoHS compliant
- SFF-8636 compliant I²C management interface

Table 3 - Cable Mechanical Specifications

Parameter	Value	Units
Diameter	3 ± 0.2	mm
Minimum bend radius	30	mm
Length tolerance	Length < 5m: +300mm / -0 5m ≤ Length < 50m: +500mm / -0 50m ≤ Length: +1000mm / -0	m, mm
Cable color	Aqua	---

Note 1. See Figure 1 for the cable length definition.

Mechanical Schematics

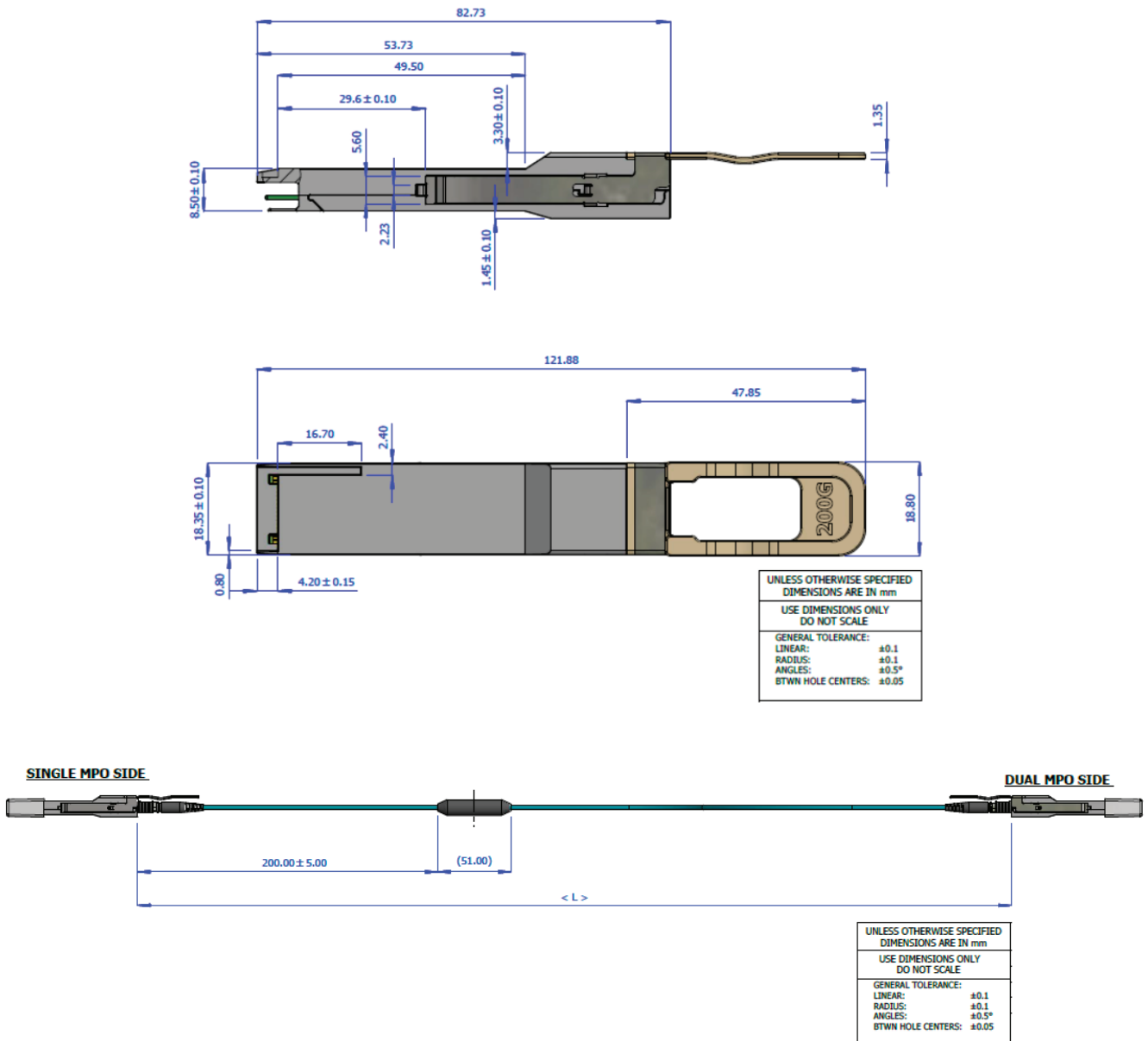


Figure 1. Splicing Point and Cable Length

Table 4 - Part Numbers and Descriptions

Part Number	Description
MFS1S50-H003E	Mellanox® active fiber splitter cable, IB HDR, 200Gb/s to 2x100Gb/s, QSFP56 to 2xQSFP56, LSZH, 3m
MFS1S50-H005E	Mellanox® active fiber splitter cable, IB HDR, 200Gb/s to 2x100Gb/s, QSFP56 to 2xQSFP56, LSZH, 5m
MFS1S50-H010E	Mellanox® active fiber splitter cable, IB HDR, 200Gb/s to 2x100Gb/s, QSFP56 to 2xQSFP56, LSZH, 10m
MFS1S50-H015E	Mellanox® active fiber splitter cable, IB HDR, 200Gb/s to 2x100Gb/s, QSFP56 to 2xQSFP56, LSZH, 15m
MFS1S50-H020E	Mellanox® active fiber splitter cable, IB HDR, 200Gb/s to 2x100Gb/s, QSFP56 to 2xQSFP56, LSZH, 20m
MFS1S50-H030E	Mellanox® active fiber splitter cable, IB HDR, 200Gb/s to 2x100Gb/s, QSFP56 to 2xQSFP56, LSZH, 30m

Warranty Information

Mellanox LinkX AOC cables include a 1-year limited hardware warranty, which covers parts repair or replacement.